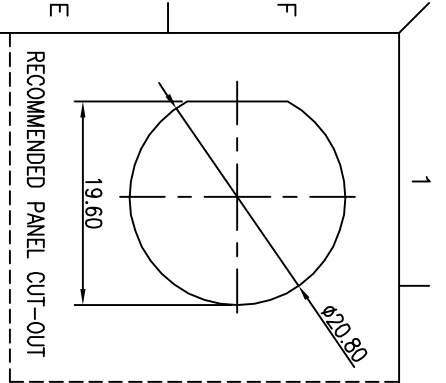
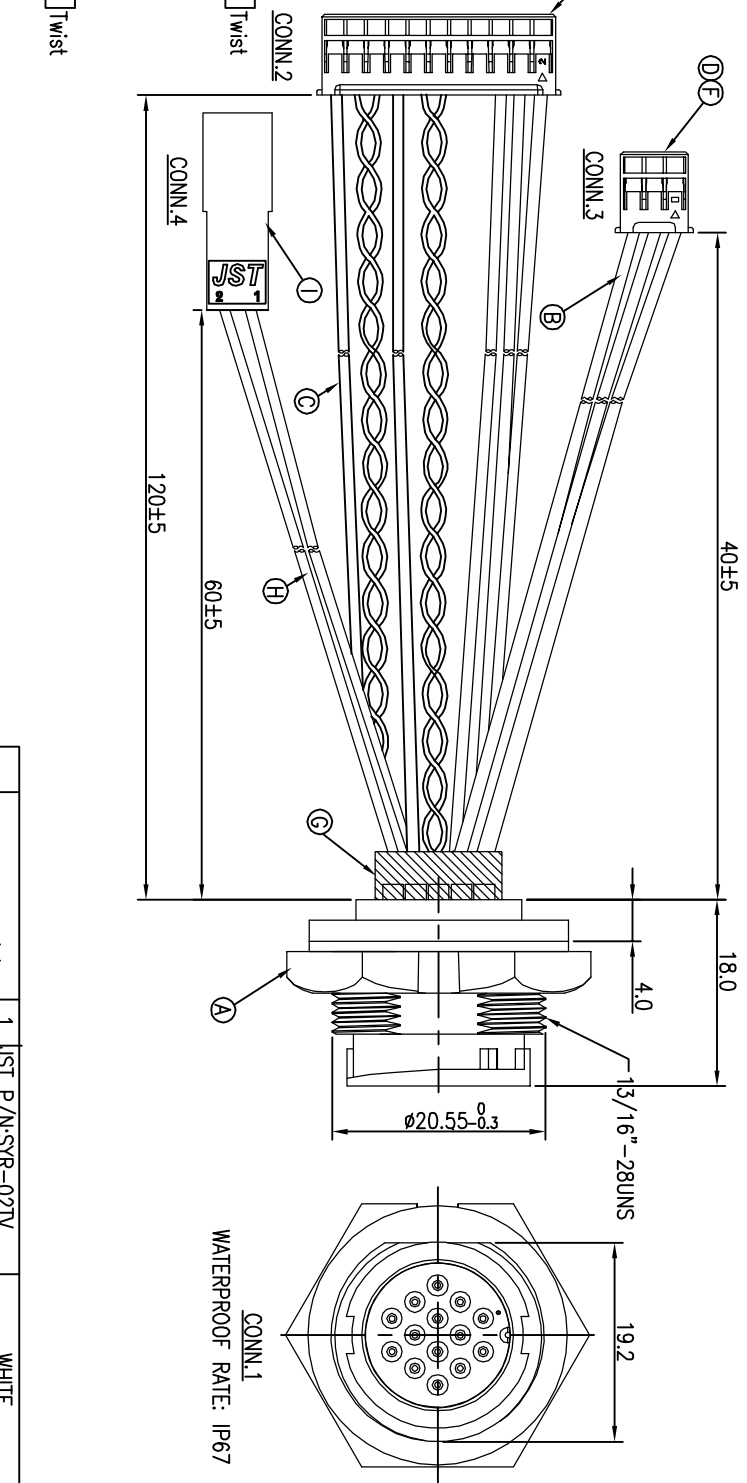


REV.	ECN NO.	OR DESCRIPTION	REVISED	DATE
A	PDR NO.:	T170928-1A	Vicky	2017.10.25

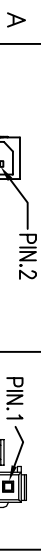
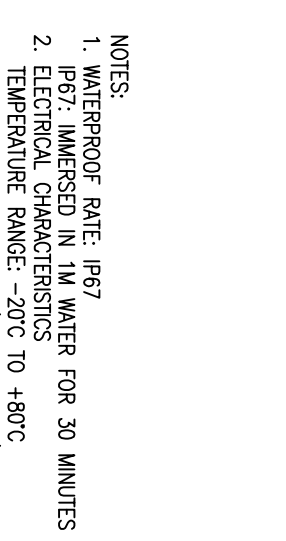
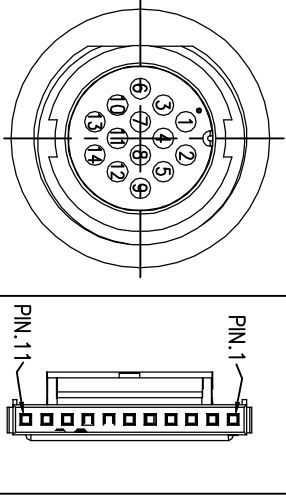


14	BLACK(22AWG)	/	/	2
13	RED(22AWG)	/	/	1
12	BROWN(24AWG)	1	/	/
11	BLUE(24AWG)	2	/	/
10	GRAY(24AWG)	3	/	/
9	PURPLE(24AWG)	8	/	/
8	PINK(24AWG)	9	/	/
7	ORANGE(24AWG)	10	/	/
6	WHITE(24AWG)	11	/	/
5	WHITE(22AWG)	/	/	3
4	BROWN(22AWG)	/	/	2
3	BLUE(22AWG)	/	/	1
2	YELLOW(24AWG)	7	/	/
1	GREEN(24AWG)	6	/	/



1	CONNECTOR(C)	1	JST P/N:SYR-02TV	WHITE
2	WIRE	2	JST P/N:SYM-001T-P0.6	TIN PLATED
3	WIRE	2	UL 1061 22AWG	SEE "PIN OUT"
4	HEAT SHRINK TUBE	14	OD:2.0 300V L=8mm	BLACK
5	TERMINAL	12	TYU P/N:TU2008TPO	TIN PLATED
6	CONNECTOR(B)	1	TYU P/N:TU2008HND-11	WHITE
7	CONNECTOR(A)	1	TYU P/N:TU2008HND-03	WHITE
8	WIRE	9	UL 1061 24AWG	SEE "PIN OUT"
9	WIRE	3	UL 1007 22AWG	SEE "PIN OUT"
10	WATERPROOF CONN.	1	P/N:2CM3002-W1430H	BLACK

CONN.1	PIN OUT	CONN.2	CONN.3	CONN.4
--------	---------	--------	--------	--------



- NOTES:
1. WATERPROOF RATE: IP67
  2. IP67: IMMERSED IN 1M WATER FOR 30 MINUTES
  3. ELECTRICAL CHARACTERISTICS
  4. TEMPERATURE RANGE: -20°C TO +80°C
  5. CURRENT RATING: 5A(PANEL CONN.)
  6. SPECIFICATIONS:SEE "CIRCULAR SERIES SPECIFICATIONS".
  7. TO CONFORM TO SINGATRON HAZARDOUS SUBSTANCE FREE SPEC.
  8. GREEN PRODUCT IDENTIFICATION LABEL ON PACKAGING:
  9. FOR PANEL THICKNESS MAX OF 3.5mm

UNLESS OTHERWISE SPECIFIED TOLERANCES			
DECIMALS:	ANGLES:		
X : ±0.5	X : ±2°		
X.X : ±0.3	X.X : ±1°		
X.XX : ±0.2			

Singatron Enterprise Co., Ltd. 信亨企業股份有限公司	
TITLE	CIRCULAR MIDDLE SIZE (SOLDER/LOCK TYPE) MALE CONN. MALE 14 PIN(SA)
DWN	Vicky
CHKD	JF
APVD	Steve
PART NO. 2CM3002-W1430TH	
SCALE 2:1 UNIT: mm	
SIZE: A3 SHEET: 1 OF 1	
REV: A	

CUSTOMER COPY