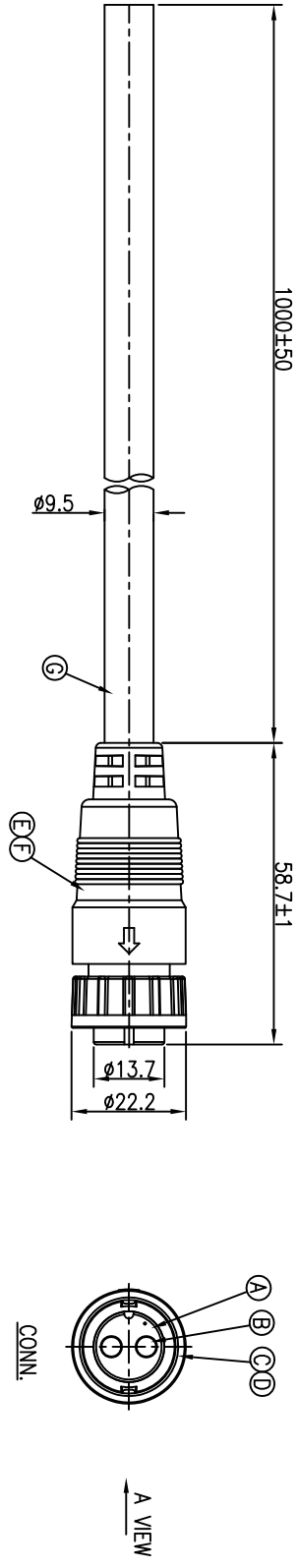
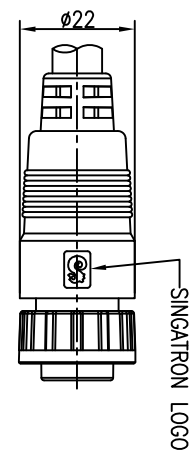


REV.	ECN NO. OR DESCRIPTION	REVISED	DATE
A	PDR NO. T100503-2A	Shown	2010.06.28
B	ECN NO: S120407	Harlen	2012.4.2

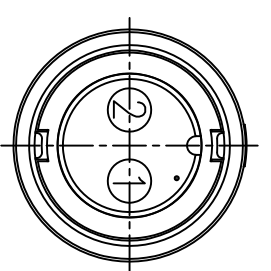


WATERPROOF RATE: IP67



A VIEW

2	BLACK
1	RED
CONN	WIRE COLOR
PIN OUT	
CONN	CONN



Pin Assignments
Front View

- NOTES:
1. WATERPROOF RATE: IP67
IP67: IMMERSED IN 1M WATER FOR 30 MINUTES
 2. CURRENT RATING: 40A
DIELECTRIC WITHSTANDING VOLTAGE: 1000V AC FOR ONE MINUTE
 3. TO CONFORM TO SINGATRON HAZARDOUS SUBSTANCE FREE SPEC.
 4. GREEN PRODUCT IDENTIFICATION LABEL ON PACKAGING: GR PASS

NO	DESCRIPTION	QTY	MATERIAL	PLATING & COLOR
A	BODY	1	NYLON+GF	BLACK
B	FEMALE PIN	2	Phosphor Bronze	6u" GOLD PLATING OVER NICKEL PLATING
C	LOCK NUT	1	NYLON+GF	BLACK
D	O-RING	1	EPDM	BLACK
E	OVER MOLD	1	PVC	BLACK
F	INNER MOLD	1	TPU	NATURAL
G	CABLE	1	UL2464 11AWG*2C+T UV RESISTANT OD9.5	BLACK(PVC JACKET)

UNLESS OTHERWISE SPECIFIED TOLERANCES

DECIMALS: ANGLES:

X :±0.5 X :±2°
X.X :±0.3 X.X :±1°
X.XX :±0.2

Singatron Enterprise Co., Ltd.
信管企業股份有限公司

CIRCULAR MIDDLE SIZE (IP67)
FEMALE CONN. FEMALE (PIN 40A) LOCK TYPE

DWN Harlen
CHKD STEVE
APVD TONY

PART NO. 2CM3004-W02H00
SCALE 1:1 UNIT: mm

SIZE: A3 SHEET: 1 OF 1 REV: B

CUSTOMER COPY