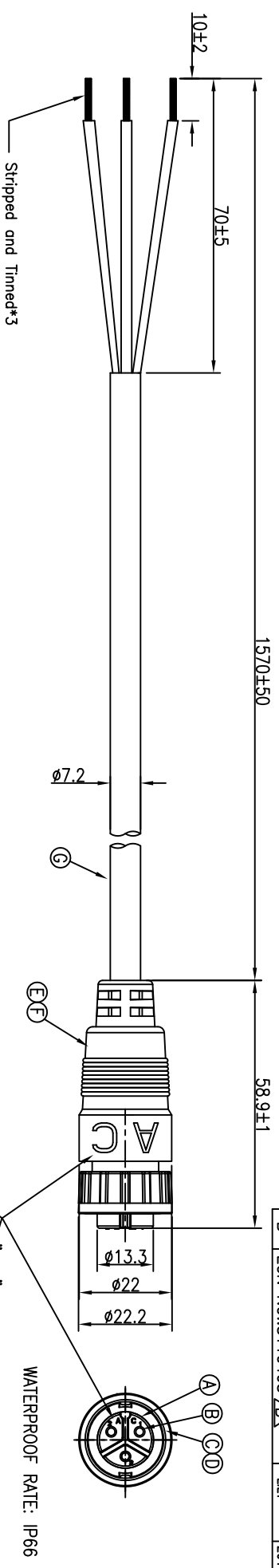
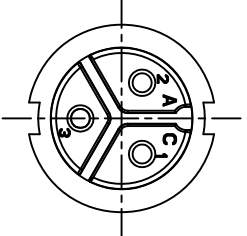


| REV. | ECN NO OR DESCRIPTION | REVISED | DATE |
|------|-----------------------|---------|------------|
| A | PDR NO.:S100118-1H | LILY | 2010.04.19 |
| B | ECN NO.:S110408 | LILY | 2011.05.23 |



| | |
|--------------|-------|
| YELLOW/GREEN | 3 |
| BLUE | 2 |
| BROWN | 1 |
| WIRE COLOR | CONN. |
| PIN OUT | |



- NOTES:
1. WATERPROOF RATE: IP66
 2. CURRENT RATING: 10A
 3. SPECIFICATIONS:SEE "CIRCULAR SERIES SPECIFICATIONS".
 4. TO CONFORM TO SINGATRON HAZARDOUS SUBSTANCE FREE SPEC.
 5. GREEN PRODUCT IDENTIFICATION LABEL ON PACKAGING:

| NO | DESCRIPTION | QTY | MATERIAL | PLATING & COLOR |
|----|-------------|-----|---|--|
| A | BODY | 1 | NYLON+30%GF 94V-0 | BLACK |
| B | FEMALE PIN | 3 | Phosphor Bronze | (1~3)u" GOLD PLATING OVER NICKEL PLATING |
| C | LOCK NUT | 1 | NYLON+30%GF 94V-0 | BLACK |
| D | O-RING | 1 | EPDM | BLACK |
| E | OVER MOLD | 1 | PVC VW-1 | BLACK |
| F | INNER MOLD | 1 | ABS 94V-0 | NATURAL |
| G | CABLE | 1 | 245 IEC 57(YZW) 3*1mm ² (RESISTANT UV) | BLACK |

| | | | |
|---------------------------------------|----------|--|--|
| UNLESS OTHERWISE SPECIFIED TOLERANCES | | SINGATRON ENTERPRISE CO., LTD. | |
| DECIMALS: | ANGLES: | 信音企業股份有限公司 | |
| X :±0.5 | X :±2° | CIRCULAR MIDDLE SIZE (IP66) | |
| X.X :±0.3 | X.X :±1° | FEMALE CONN. FEMALE 3 PIN LOCK TYPE | |
| X.XX :±0.2 | | DWN LILY PART NO.2CM3004-W03402 | |
| | | CHKD Steve SCALE 1:1 UNIT: mm | |
| | | APVD Quon SIZE: A3 SHEET:1 OF 1 REV: B | |

CUSTOMER COPY