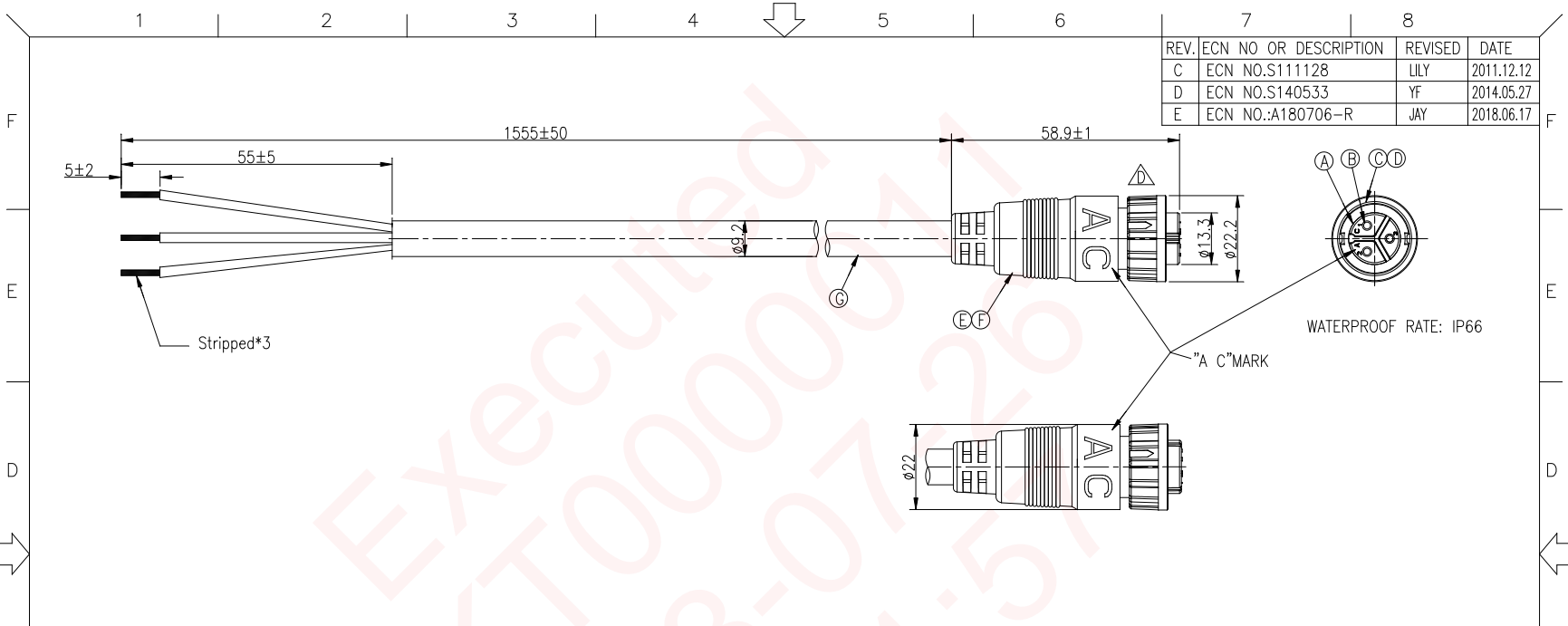
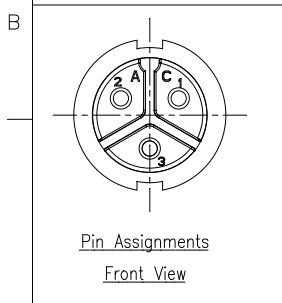


REV.	ECN NO OR DESCRIPTION	REVISED	DATE
C	ECN NO.S111128	LILY	2011.12.12
D	ECN NO.S140533	YF	2014.05.27
E	ECN NO.:A180706-R	JAY	2018.06.17



YELLOW/GREEN	3
BLUE	2
BROWN	1
WIRE COLOR	CONN.
PIN OUT	



- NOTES:
1. WATERPROOF RATE: IP66
 2. CURRENT RATING: 10A
 3. SPECIFICATIONS:SEE "CIRCULAR SERIES SPECIFICATIONS".
 4. TO CONFORM TO SINGATRON HAZARDOUS SUBSTANCE FREE SPEC.
 5. GREEN PRODUCT IDENTIFICATION LABEL ON PACKAGING:

G	CABLE(客供)	1	ZR-BWV 3*1.5mm ² (CONDUCTOR 1/1.38)	BLACK(RUBBER JACKET)
F	INNER MOLD	1	ABS 94V-0	NATURAL
E	OVER MOLD	1	PVC VW-1	BLACK
D	O-RING	1	EPDM	BLACK
C	LOCK NUT	1	PA66+30%GF 94V-0	BLACK
B	FEMALE PIN	3	Phosphor Bronze	(1~3)u" GOLD PLATING OVER NICKEL PLATING
A	BODY	1	PA66+30%GF 94V-0	BLACK
NO	DESCRIPTION	QTY	MATERIAL	PLATING & COLOR

UNLESS OTHERWISE SPECIFIED TOLERANCES		Singatron Enterprise Co., Ltd. 信音企業股份有限公司	
DECIMALS:	ANGLES:	TITLE	CIRCULAR MIDDLE SIZE (IP66) FEMALE CONN. FEMALE 3 PIN LOCK TYPE
X :±0.5	X :±2°	DWN	JAY PART NO.2CM3004-W03417
X.X :±0.3	X.X :±1°	CHKD	JF SCALE 1:1 UNIT: mm
X.XX :±0.2		APVD	STEVE SIZE: A3 SHEET:1 OF 1 REV: E
CUSTOMER COPY			