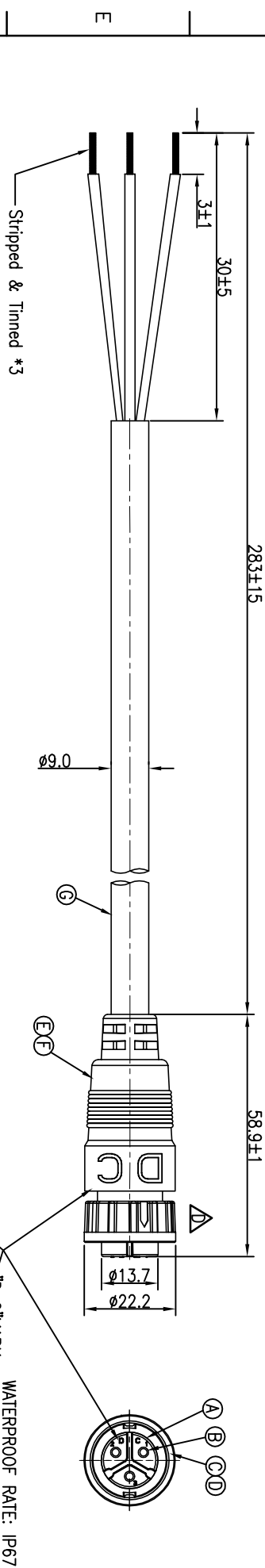
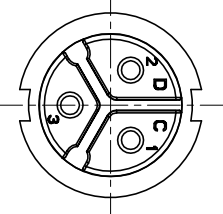


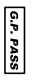
REV.	ECN NO.	OR DESCRIPTION	REVISED	DATE
B	ECN NO.S110408		LILY	2011.05.24
C	ECN NO.S110718		LILY	2011.07.26
D	ECN NO.S140533		YF	2014.05.20

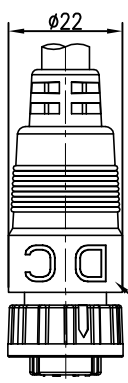



GREEN	3
YELLOW	2
RED	1
WIRE COLOR	CONN.
PIN OUT	



Pin Assignments
Front View

- NOTES:
1. WATERPROOF RATE: IP67
 2. CURRENT RATING: 10A
 3. SPECIFICATIONS: SEE "CIRCULAR SERIES SPECIFICATIONS".
 4. TO CONFORM TO SINGATRON HAZARDOUS SUBSTANCE FREE SPEC.
 5. GREEN PRODUCT IDENTIFICATION LABEL ON PACKAGING: 



G	CABLE	1	SOW 18#*3C(3#)	BLACK
F	INNER MOLD	1	ABS 94V-0	NATURAL
E	OVER MOLD	1	PVC VW-1	BLACK
D	O-RING	1	EPDM	BLACK
C	LOCK NUT	1	NYLON+30%GF 94V-0	BLACK
B	FEMALE PIN	3	Phosphor Bronze	(1~3)u" GOLD PLATING OVER NICKEL PLATING
A	BODY	1	NYLON+30%GF 94V-0	BLACK
NO	DESCRIPTION		MATERIAL	PLATING & COLOR
UNLESS OTHERWISE SPECIFIED TOLERANCES				
 Singatron Enterprise Co., Ltd. 信登企業股份有限公司				
TITLE: CIRCULAR MIDDLE SIZE (IP67) FEMALE CONN. FEMALE 3 PIN LOCK TYPE				
DWN	YF	PART NO.	2CM3004-W03419	
CHKD	Harten	SCALE	1:1	UNIT: mm
APVD	Quan	SIZE	A3	SHEET: 1 OF 1
REVISION: REV:D				
CUSTOMER COPY				