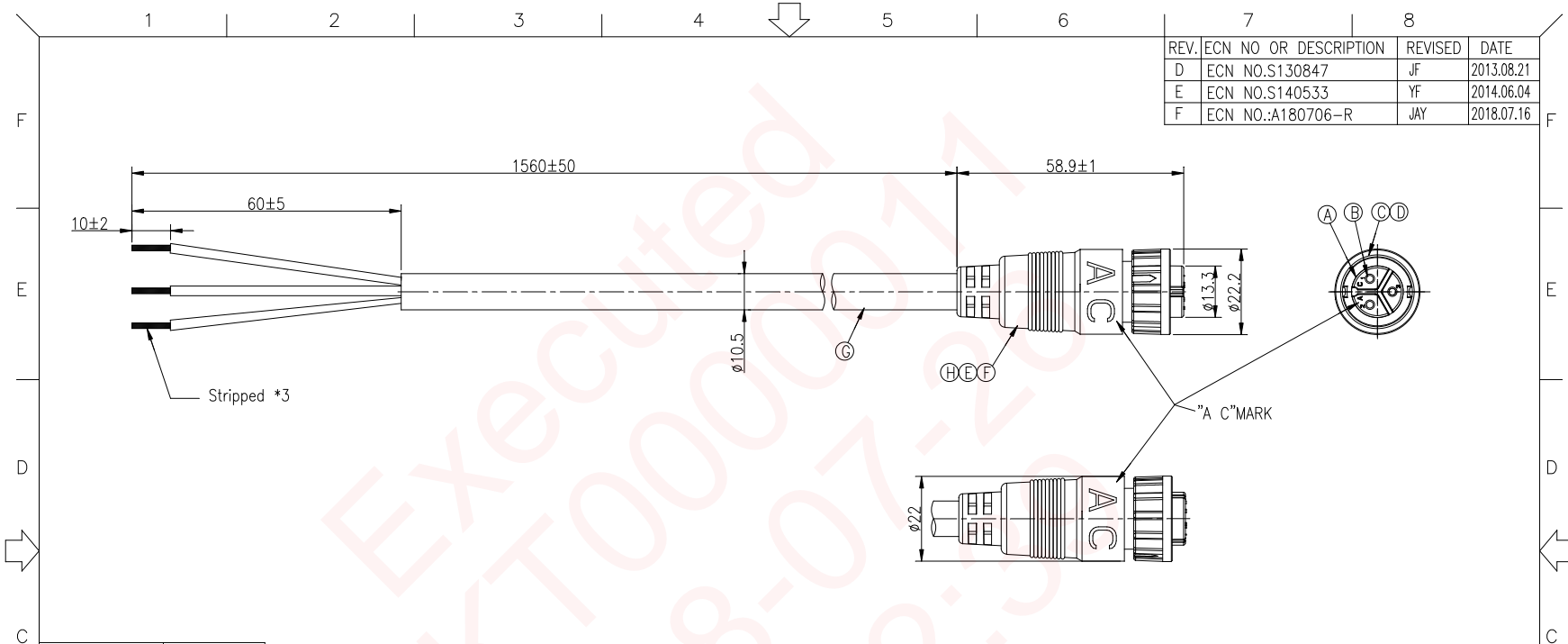
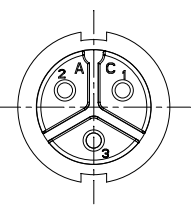


REV.	ECN NO OR DESCRIPTION	REVISED	DATE
D	ECN NO.S130847	JF	2013.08.21
E	ECN NO.S140533	YF	2014.06.04
F	ECN NO.:A180706-R	JAY	2018.07.16



YELLOW/GREEN	3
BLUE	2
BROWN	1
WIRE COLOR	CONN.
PIN OUT	



Pin Assignments
Front View

- NOTES:
1. WATERPROOF RATE: IP67
 2. CURRENT RATING: 10A
 3. SPECIFICATIONS:SEE "CIRCULAR SERIES SPECIFICATIONS".
 4. TO CONFORM TO SINGATRON HAZARDOUS SUBSTANCE FREE SPEC.
 5. GREEN PRODUCT IDENTIFICATION LABEL ON PACKAGING:

H	LIQUID GLUE	1	N/A	N/A
G	CABLE(客供)	1	NH-BW 3*2.5mm ² φ10.5 (CONDUCTOR 1/1.78)	BLACK(PVC JACKET)
F	INNER MOLD	1	ABS 94V-0	NATURAL
E	OVER MOLD	1	PVC VW-1	BLACK
D	O-RING	1	EPDM	BLACK
C	LOCK NUT	1	PA66+30%GF 94V-0	BLACK
B	FEMALE PIN	3	Phosphor Bronze	(1~3)u" GOLD PLATING OVER NICKEL PLATING
A	BODY	1	PA66+30%GF 94V-0	BLACK
NO	DESCRIPTION	QTY	MATERIAL	PLATING & COLOR

UNLESS OTHERWISE SPECIFIED TOLERANCES		Singatron Enterprise Co., Ltd. 信音企業股份有限公司	
DECIMALS:	ANGLES:	TITLE	CIRCULAR MIDDLE SIZE (IP67) FEMALE CONN. FEMALE 3 PIN LOCK TYPE
X :±0.5	X :±2°	DWN	JAY PART NO.2CM3004-W03422
X.X :±0.3	X.X :±1°	CHKD	JF SCALE 1:1 UNIT: mm
X.XX :±0.2		APVD	STEVE SIZE: A3 SHEET:1 OF 1 REV:F
CUSTOMER COPY			