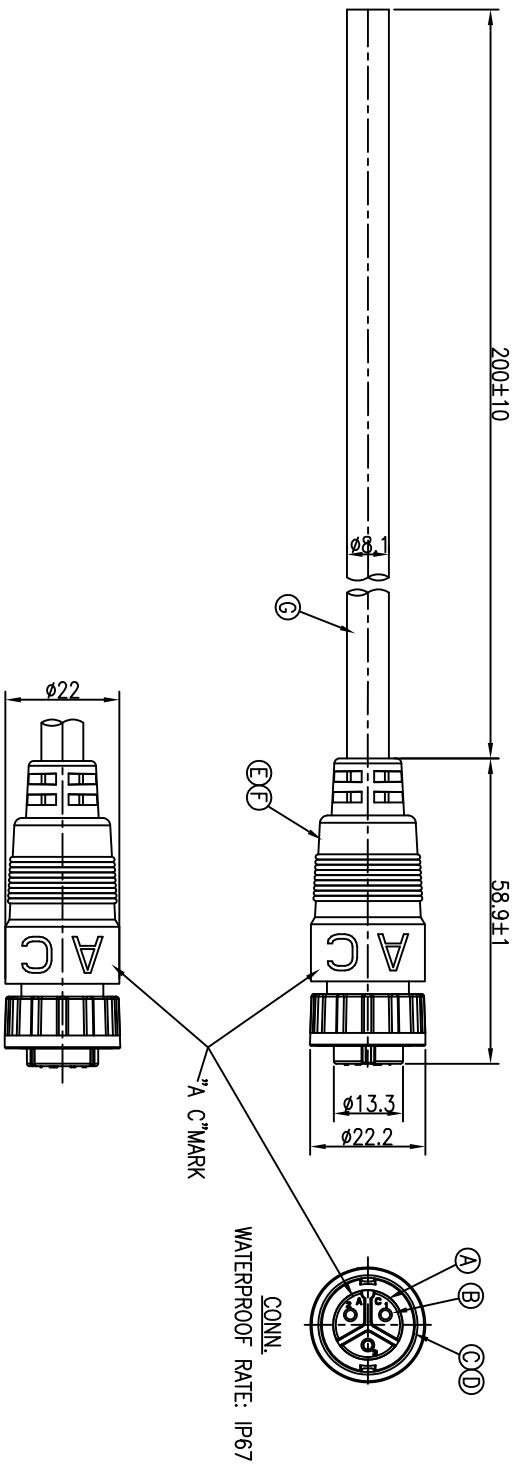
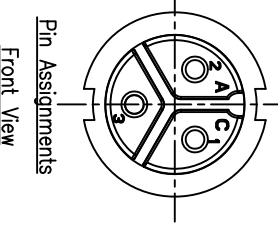


REV/ECN NO OR DESCRIPTION	REVISED DATE
A PDR NO.:S110301-7A	LILY 2011.04.12



YELLOW/GREEN	3
BLUE	2
BROWN	1
WIRE COLOR	CONN.
PIN OUT	
CONN.	

- NOTES:
1. WATERPROOF RATE: IP67
IP67: IMMersed IN 1M WATER FOR 30 MINUTES
 2. CURRENT RATING: 10A
 3. SPECIFICATIONS:SEE "CIRCULAR SERIES SPECIFICATIONS".
 4. TO CONFORM TO SINGATRON HAZARDOUS SUBSTANCE FREE SPEC.
 5. GREEN PRODUCT IDENTIFICATION LABEL ON PACKAGING: **G.P. PASS**



NO	DESCRIPTION	QTY	MATERIAL	PLATING & COLOR
A	BODY	1	NYLON+33%GF	BLACK
B	FEMALE PIN	3	Phosphor Bronze	6u" GOLD PLATING OVER NICKEL PLATING
C	LOCK NUT	1	NYLON+33%GF	BLACK
D	O-RING	1	EPDM	BLACK
E	OVER MOLD	1	PVC	BLACK
F	INNER MOLD	1	TPU	NATURAL
G	CABLE	1	CCC ZR-ZRVV 3*1.5mm ² OD=Ø8.1	BLACK(PVC JACKET)

UNLESS OTHERWISE SPECIFIED TOLERANCES

DECIMALS:	ANGLES:
X :±0.5	X :±2°
X.X :±0.3	X.X :±1'
XXX :±0.2	

Singatron Enterprise Co., Ltd.
信亨企業股份有限公司

CIRCULAR MIDDLE SIZE (IP67)
FEMALE CONN. FEMALE 3 PIN LOCK TYPE

TITLE: PART NO.2CM3004-W03443H

DWN: LILY SCALE 1:1 UNIT: mm

CHKD: Steve SIZE: A3 SHEET: 1 OF 1 REV: A

APVD: Max

CUSTOMER COPY