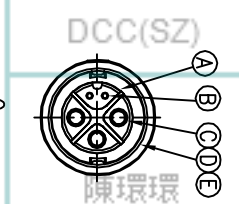
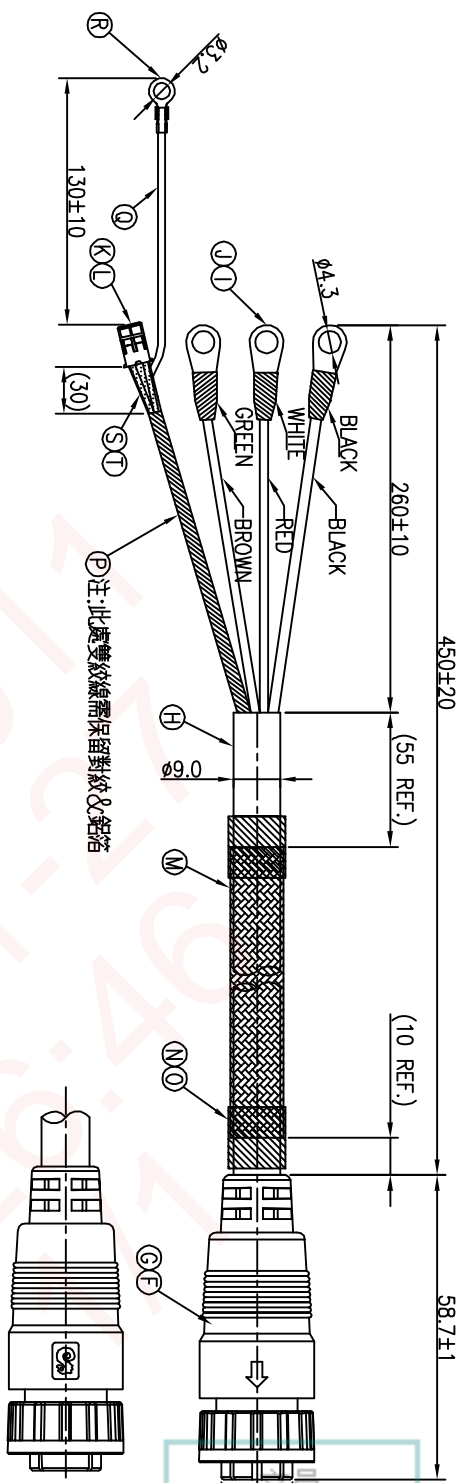


REV.	ECN NO	OR DESCRIPTION	REVISED	DATE
A	PDR	NO.:S140325-4A	JF	2015.01.22

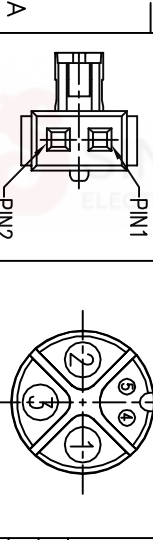


WATERPROOF RATE: IP67



TERMINAL (GREEN TUBE)	1	WHITE(24AWG)	5
TERMINAL (BLACK TUBE)	2	BROWN(14AWG)	4
TERMINAL (WHITE TUBE)	3	BLACK(14AWG)	3
0-TERMINAL	1	RED(14AWG)	2
0-TERMINAL	1	WIRE COLOR	CONN1

CONN2	PIN OUT	CONN1
-------	---------	-------



- NOTES:
1. WATERPROOF RATE: IP67
 2. ELECTRICAL CHARACTERISTICS CURRENT RATING: 20+2A
 3. SPECIFICATIONS:SEE "CIRCULAR SERIES SPECIFICATIONS".
 4. TO CONFORM TO SINGATRON HAZARDOUS SUBSTANCE FREE SPEC.
 5. GREEN PRODUCT IDENTIFICATION LABEL ON PACKAGING:

T	CONDUCTIVE FABRIC TAPE	1	W15*10.11	GRAY
S	ACETATE CLOTH TAPE	1	W15*10.12	BLACK
R	0-TERMINAL	1	J602-BS ID=3.2	TIN-PLATED
Q	WIRE	1	UL1007 24AWG	BLACK
P	HEAT SHRINK TUBE	1	Ø3.5 125' 300V	BLACK

A VIEW

0	ACETATE TAPE	2	W20 TO.18	BLACK
N	HEAT SHRINK TUBE	2	Ø15.0 L=20mm	BLACK
M	STAINLESS STEEL BRAID	1	STAINLESS STEEL	N/A
L	TERMINAL	2	PHOSPHOR BRONZE	1u" GOLD PLATING
K	HOUSING	1	NYLON66	WHITE
J	HEAT SHRINK TUBE	3	Ø5.0 125' 600V	COLOR
I	0-TERMINAL	3	BRASS	TIN-PLATED
H	CABLE	1	UL2464 14#*3C+(CAT.5E 24#*1P+AL) (UV) 009.0	BLACK(PVC JACKET)
G	INNER MOLD	1	TPU	NATURAL
F	OVER MOLD	1	PVC	BLACK
E	O-RING	1	EPDM	BLACK
D	LOCK NUT	1	NYLON+GF	BLACK
C	FEMALE PIN	3	COPPER ALLOY	1~3u" GOLD PLATING OVER NICKEL PLATING
B	FEMALE PIN	2	COPPER ALLOY	6u" GOLD PLATING OVER NICKEL PLATING
A	BODY	1	NYLON+GF	BLACK

UNLESS OTHERWISE SPECIFIED TOLERANCES

Singatron Enterprise Co., Ltd.
信亨企業股份有限公司

DECIMALS:	ANGLES:	TITLE	CIRCULAR MIDDLE SIZE (IP67) LOCK TYPE FEMALE CONN. FEMALE PIN (3+2)PIN(20+2A)
X :.0.5	X :±2	DWN	JF
X.X :.0.3	X.X :±1'	CHKD	Horlen
X.XX :.0.2		APVD	Quan

PART NO.2CM3004-W05E01H
SCALE 1:1 UNIT: mm
SHEET:1 OF 1 REV: A
CUSTOMER COPY