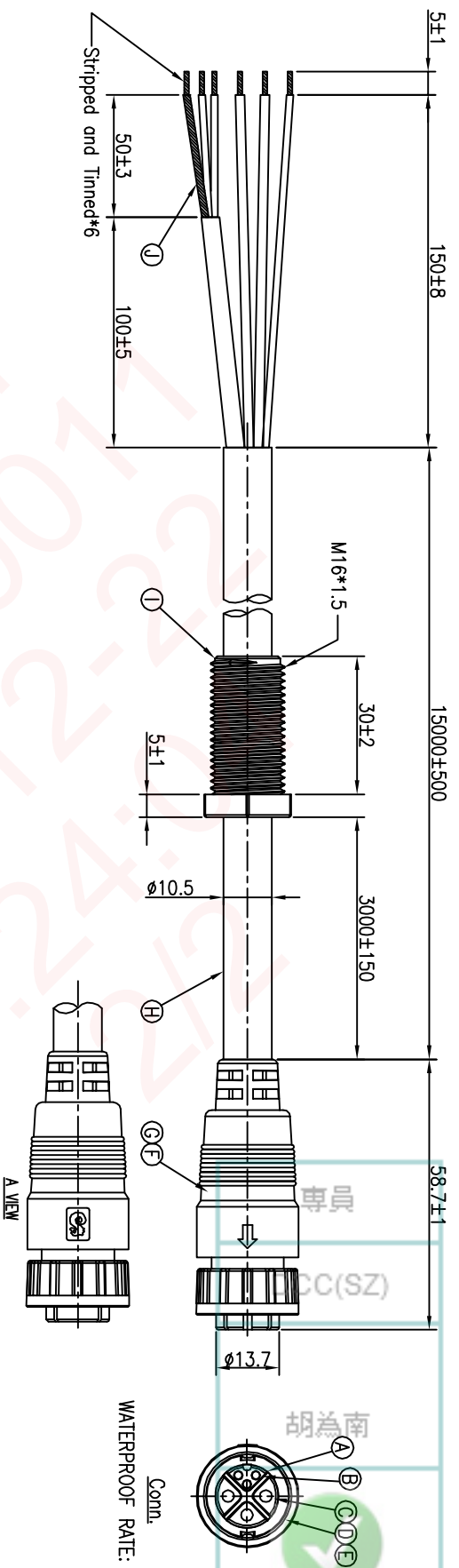


REV.	ECN NO.	OR DESCRIPTION	REVISED	DATE
A	PDR NO.:S150108-2D		JF	2015.12.11



BLACK(22AWG)	6
BRAID	5
RED(22AWG)	4
BROWN(1.5mm ²)	3
BLUE(1.5mm ²)	2
YELLOW/GREEN(0.5mm ²)	1
WIRE COLOR	CONN.
PIN OUT	
CONN.	



NOTES:
 1. WATERPROOF RATE: IP67
 2. ELECTRICAL CHARACTERISTICS
 CURRENT RATING: 10+5A
 3. SPECIFICATIONS:SEE "CIRCULAR SERIES SPECIFICATIONS".
 4. TO CONFORM TO SINGATRON HAZARDOUS SUBSTANCE FREE SPEC.
 5. GREEN PRODUCT IDENTIFICATION LABEL ON PACKAGING:

J	HEAT SHRINK TUBE	1	Ø1.5 125C 300V	BLACK
I	SR	1	ABS	BLACK
H	CABLE	1	(1P*22AWG+AB+COVERING) +2C*1.5mm ² +1*0.5mm ² +F+P	BLACK(MATT PU)
G	INNER MOLD	1	TPU	NATURAL
F	OVER MOLD	1	PVC	BLACK
E	O-RING	1	EPDM	BLACK
D	LOCK NUT	1	NYLON+GF	BLACK
C	FEMALE PIN	3	COPPER ALLOY	1~3u" GOLD PLATING OVER NICKEL PLATING
B	FEMALE PIN	3	COPPER ALLOY	1~3u" GOLD PLATING OVER NICKEL PLATING
A	BODY	1	NYLON+GF	BLACK
NO	DESCRIPTION	QTY	MATERIAL	PLATING & COLOR

UNLESS OTHERWISE SPECIFIED TOLERANCES
 DECIMALS: ANGLES:
 X :±0.5 X :±2
 X.X :±0.3 X.X :±1'
 X.XX :±0.2

Singatron Enterprise Co., Ltd.
 信音企業股份有限公司
 TITLE: CIRCULAR MIDDLE SIZE (IP67) LOCK TYPE
 FEMALE CONN. FEMALE PIN (3+3)PIN(10+5A)
 DWG: JF PART NO. ZCM3004-M06802H
 CHKD: Yang SCALE 1:1 UNIT: mm
 APVD: Harlen SIZE: A2 SHEET: 1 OF 1 REV: A

CUSTOMER COPY