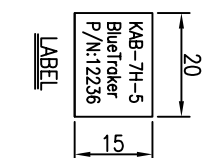
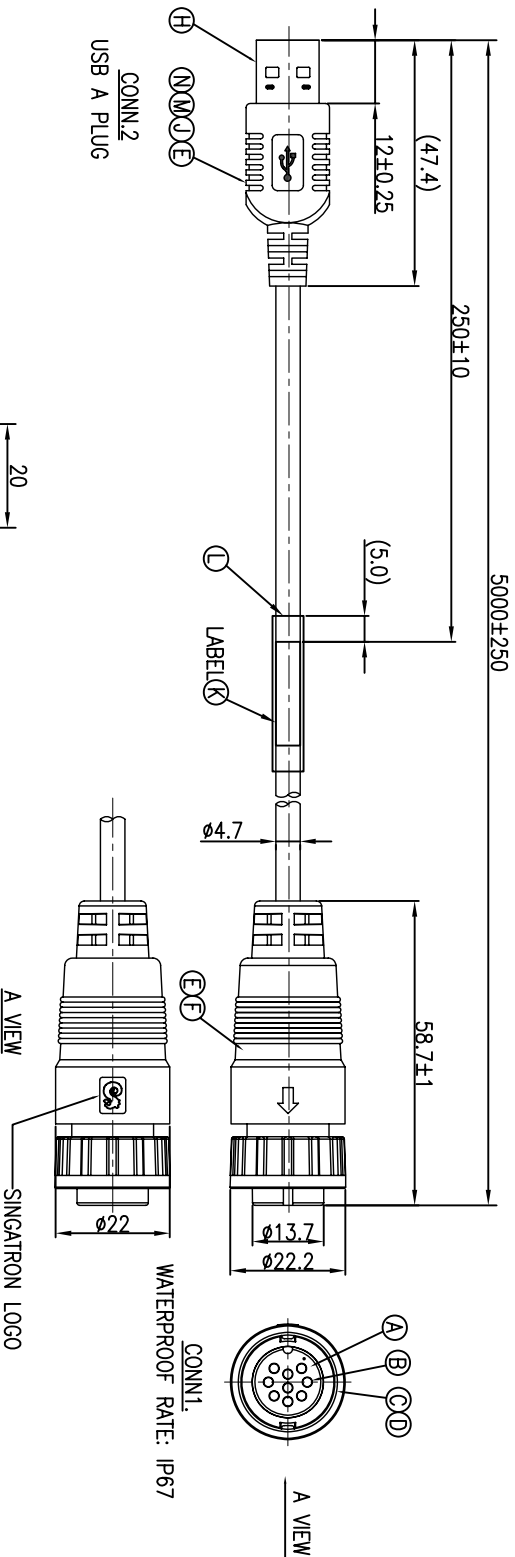


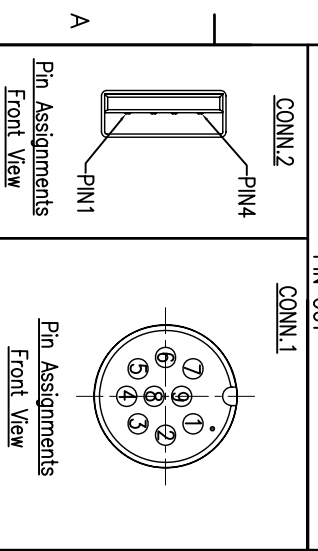
REV.	ECN NO.	OR DESCRIPTION	REVISED	DATE
A	PDR	NO:T131119-1B	JF	2014.02.21



SHIELD	DRAIN	
4	BLACK (24AWG)	9
1	RED (24AWG)	8
3	GREEN (28AWG)	7
2	WHITE (28AWG)	6
		5
		4
		3
		2
		1

Twist

CONN.2	WIRE COLOR	CONN.1
	PIN OUT	



- NOTES:
1. WATERPROOF RATE: IP67
  2. SPECIFICATIONS: SEE "CIRCULAR&USB SERIES SPECIFICATIONS".
  3. TO CONFORM TO SINGATRON HAZARDOUS SUBSTANCE FREE SPEC.
  4. GREEN PRODUCT IDENTIFICATION LABEL ON PACKAGING:

NO	DESCRIPTION	QTY	MATERIAL	PLATING & COLOR
A	BODY	1	NYLON+GF	BLACK
B	FEMALE PIN	9	Phosphor Bronze	1~3μ" GOLD PLATING OVER NICKEL PLATING
C	LOCK NUT	1	NYLON+GF	BLACK
D	O-RING	1	EPDM	BLACK
E	OVER MOLD	2	PVC	BLACK
F	INNER MOLD	1	TPU	BLACK
G	CABLE	1	USB2.0 1P*28#+ 2C*24#+ADB OD4.7	BLACK(PVC JACKET)
H	USB PLUG	1	USB2.0 PLUG	N/A
J	INNER MOLD	1	LD-PE	N/A
K	LABEL	1	L20*W15	WHITE
L	TUBE	1	φ6.0 (125;300V)L:30mm	TRANSPARENT
M	PCB	1	FR-4	GREEN
N	HEAT SHRINK TUBE	1	φ1.0 125°C 300V	BLACK

UNLESS OTHERWISE SPECIFIED TOLERANCES

DECIMALS: ANGLES:

±0.5 X ±0.2  
 ±0.3 X X ±1°  
 ±0.2 X.XX ±0.2

Singatron Enterprise Co., Ltd.  
 信登企業股份有限公司

TITLE: CIRCULAR MIDDLE SIZE FEMALE CONN. FEMALE 9 PIN(S) LOCK TYPE TO USB A PLUG  
 DWG: JF  
 CHKD: Harlen  
 APVD: Quon  
 SCALE: 1:1 UNIT: mm  
 SIZE: A3 SHEET: 1 OF 1 REV: A

CUSTOMER COPY