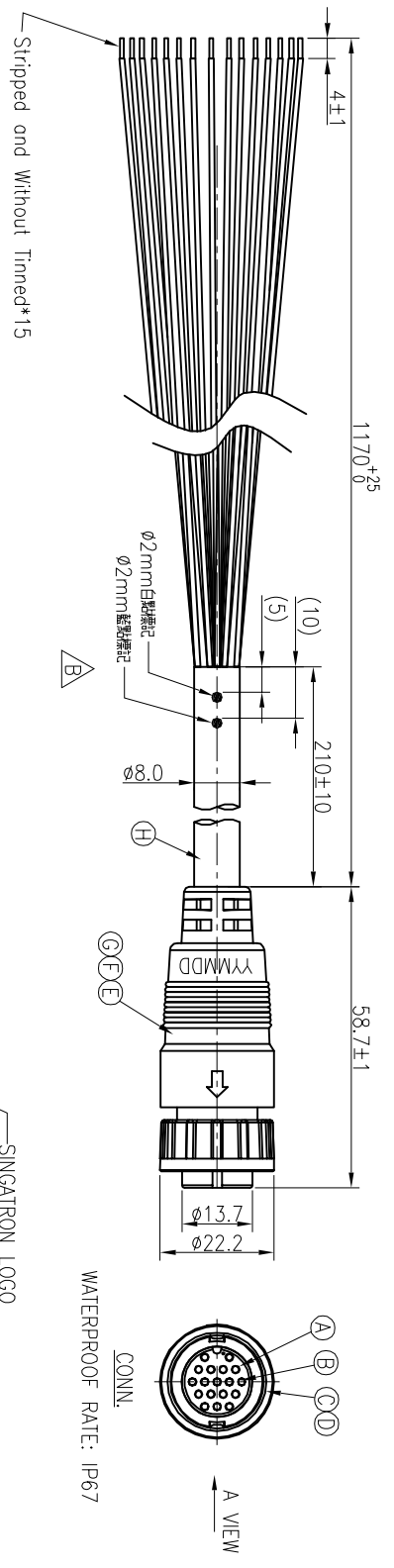
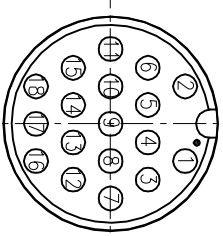


REV.	ECN NO.	OR DESCRIPTION	REVISED	DATE
A	PDR NO:T150512-7A		JF	2017.10.25
B	ECR NO:A19101-C/A		MF	2019.01.25



18	
17	
16	
15	RED/GREEN
14	BLACK
13	PINK
12	WHITE/BLACK
11	VIOLET
10	WHITE
9	YELLOW
8	LIGHT BLUE
7	ORANGE
6	LIGHT GREEN/BLACK
5	BLUE/WHITE
4	GRAY/BLUE
3	RED/WHITE
2	BLACK/RED
1	RED

WIRE COLOR	CONN
PIN OUT	
CONN.	



PIN ASSIGNMENTS
FRONT VIEW

- NOTES:
1. WATERPROOF RATE: IP67
IP67: IMMersed IN 1M WATER FOR 30 MINUTES
 2. ELECTRICAL CHARACTERISTICS
TEMPERATURE RANGE: CABLE(-30°C TO +85°C)
CONNECTOR BODY(-40°C TO +105°C)

- CURRENT RATING: 3A
HI-POT TEST:1700VAC,5mA(60SEC)
3. SPECIFICATIONS:SEE "CIRCULAR SERIES SPECIFICATIONS".
 4. TO CONFORM TO SINGATRON HAZARDOUS SUBSTANCE FREE SPEC.
 5. GREEN PRODUCT IDENTIFICATION LABEL ON PACKAGING: **GREEN**
 6. 需做導通測試, 其他測試項目: 請參照檢驗規範書
 7. 成品之原物料, 零件, 製造過程及成品交檢均須符合Gogoro所頒佈之 (Green Gogoro有害物質管理程序QA02005)最新版本內之規定及要求
 8. CUSTOMER P/N:32105-AAC-1001
 9. LASTE DATE CODE "YYMMDD" ON TOP OF OVER MOLD



H	CABLE	1	CAVS 0.3mm ² *15C+AL	BLACK(PVC JACKET)
---	-------	---	---------------------------------	-------------------

G	HEAT SHRINK TUBE	15	Ø1.6 125°C 600V	BLACK
---	------------------	----	-----------------	-------

F	INNER MOLD	1	TPU	NATURAL
---	------------	---	-----	---------

E	OVER MOLD	1	PVC	BLACK
---	-----------	---	-----	-------

D	O-RING	1	SILICONE	BLUE
---	--------	---	----------	------

C	LOCK NUT	1	PA66+GF	BLACK
---	----------	---	---------	-------

B	FEMALE PIN	18	COPPER ALLOY	1~3u" Gold Plating Over Nickel Plating 50u"
---	------------	----	--------------	--

A	BODY	1	PA66+GF	BLACK
---	------	---	---------	-------

NO	DESCRIPTION	QTY	MATERIAL	PLATING & COLOR
----	-------------	-----	----------	-----------------

UNLESS OTHERWISE SPECIFIED TOLERANCES

Singatron Enterprise Co., Ltd.
信晉企業股份有限公司

TITLE	CIRCULAR MIDDLE SIZE (IP67) FEMALE CONN. FEMALE 18 PIN LOCK TYPE
-------	--

DWN	MF	PART NO.2CM3004-W18202H
-----	----	-------------------------

CHKD	JF	SCALE 1:1	UNIT: mm
------	----	-----------	----------

APVD	William	SIZE: A3	SHEET: 1 OF 1	REV: B
------	---------	----------	---------------	--------

CUSTOMER COPY