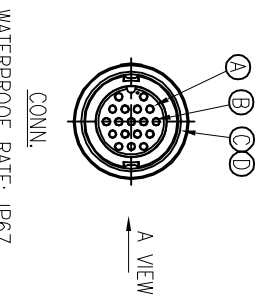
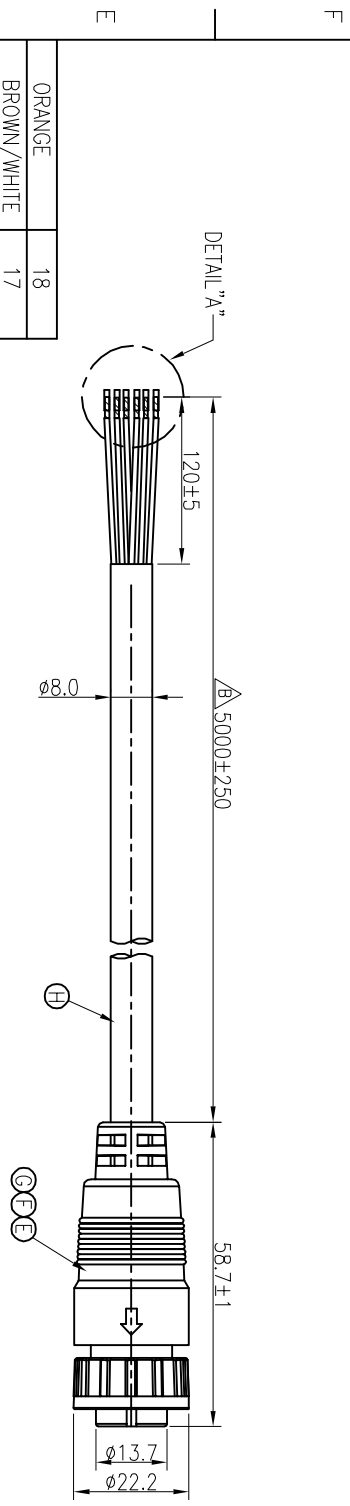
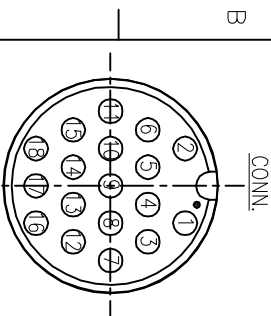
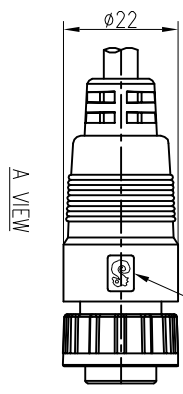
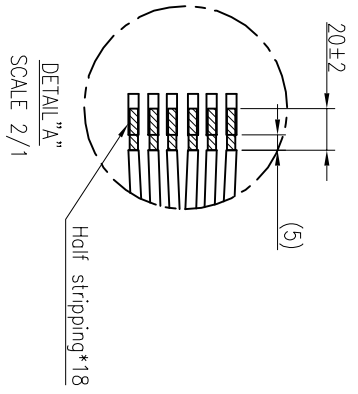


REV.	ECN NO OR DESCRIPTION	REVISED	DATE
A	PDR NO.:T160704-4A	JF	2017.01.11
B	ECN NO.:S170354-C	JF	2017.03.27



WATERPROOF RATE: IP67

ORANGE	18
BROWN/WHITE	17
RED	16
GRAY	15
RED/WHITE	14
LIGHT GREEN	13
BLACK	12
GREEN/WHITE	11
GREEN	10
BLACK/WHITE	9
PURPLE	8
YELLOW	7
WHITE	6
ORANGE/WHITE	5
BLUE/WHITE	4
BLUE	3
BROWN	2
PINK	1
WIRE COLOR	CONN
PIN OUT	



- NOTES:
1. WATERPROOF RATE: IP67
 2. ELECTRICAL CHARACTERISTICS
 3. SPECIFICATIONS:SEE "CIRCULAR SERIES SPECIFICATIONS".
 4. TO CONFORM TO SINGATRON HAZARDOUS SUBSTANCE FREE SPEC.
 5. GREEN PRODUCT IDENTIFICATION LABEL ON PACKAGING:

CURRENT RATING: 2A

CONNECTOR BODY(-40°C TO +105°C)

PIN ASSIGNMENTS
FRONT VIEW

1
2
3
4
5
6
7
8
9
10
11
12
13
14
15
16
17
18

1. WATERPROOF RATE: IP67
 IP67: IMMersed IN 1M WATER FOR 30 MINUTES
 2. ELECTRICAL CHARACTERISTICS
 TEMPERATURE RANGE: CABLE(-30°C TO +85°C)
 CONNECTOR BODY(-40°C TO +105°C)
 CURRENT RATING: 2A
 3. SPECIFICATIONS:SEE "CIRCULAR SERIES SPECIFICATIONS".
 4. TO CONFORM TO SINGATRON HAZARDOUS SUBSTANCE FREE SPEC.
 5. GREEN PRODUCT IDENTIFICATION LABEL ON PACKAGING:

H	CABLE	1	UL2464 24AWG*18C+AL UV RESISTANT ODR.0	BLACK(PVC JACKET)
G	HEAT SHRINK TUBE	18	Ø1.5 125°C 300V	BLACK
F	INNER MOLD	1	TPU	NATURAL
E	OVER MOLD	1	PVC	BLACK
D	O-RING	1	EPDM	BLACK
C	LOCK NUT	1	PA66+GF	BLACK
B	FEMALE PIN	18	COPPER ALLOY	GOLD PLATING OVER NICKEL PLATING
A	BODY	1	PA66+GF	BLACK
NO	DESCRIPTION	QTY	MATERIAL	PLATING & COLOR
UNLESS OTHERWISE SPECIFIED TOLERANCES				
Singatron Enterprise Co., Ltd. 信營企業股份有限公司				
TITLE CIRCULAR MIDDLE SIZE (IP67)				
DMW	JF	PART NO.2CM3004-W18207H	FEMALE CONN. FEMALE 18 PIN LOCK TYPE	
CHKD	Yang	SCALE 1:1	UNIT: mm	
APVD	Horlen	SIZE: A3	SHEET:1 OF 1	REV: B
CUSTOMER COPY				