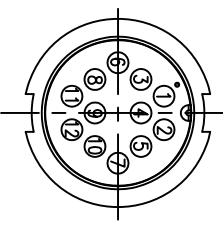
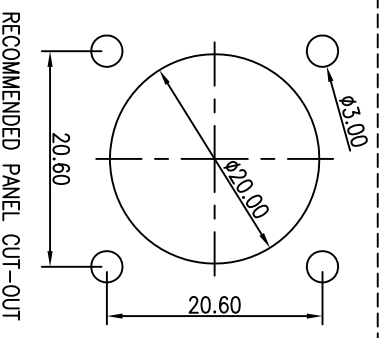
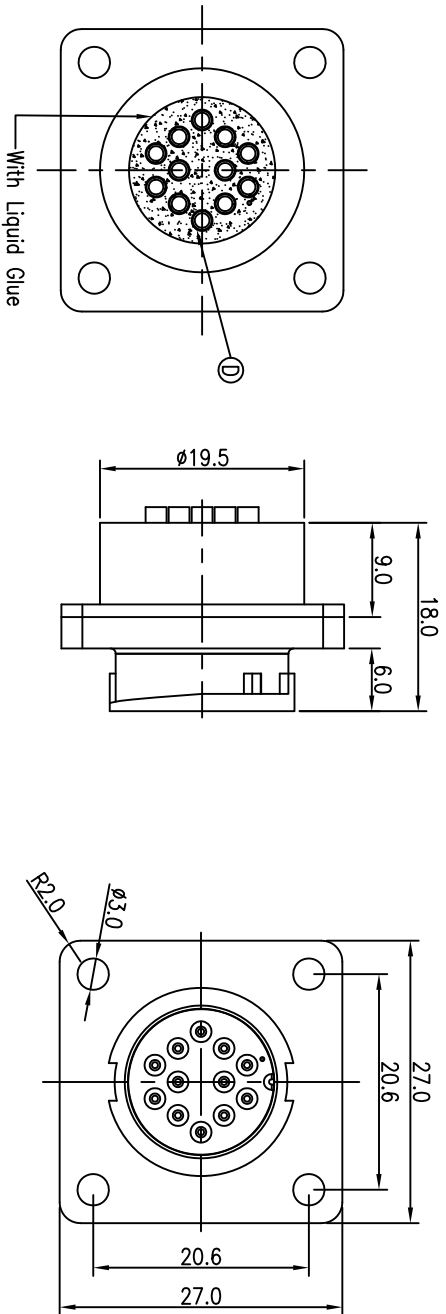


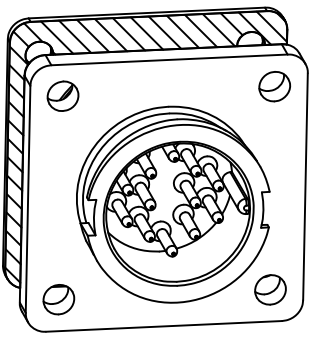
REV.	ECN NO OR DESCRIPTION	REVISED	DATE
A	PDR NO:S110720-11A	Horlen	2011.8.25



PIN ASSIGNMENTS
FRONT VIEW

NOTES:

1. WATERPROOF RATE: IP67
IP67: IMMERSED IN 1M WATER FOR 30 MINUTES
2. ELECTRICAL CHARACTERISTICS
TEMPERATURE RANGE: -40°C TO +100°C
CURRENT RATING: 5A
3. SPECIFICATIONS:SEE "CIRCULAR SERIES SPECIFICATIONS."
4. TO CONFORM TO SINGATRON HAZARDOUS SUBSTANCE FREE SPEC.
5. GREEN PRODUCT IDENTIFICATION LABEL ON PACKAGING: Gr. Pass



D	LIQUID GLUE	1	BLACK
C	GASKET	1	BLACK
B	MALE PIN	12	6u" GOLD PLATING OVER NICKEL PLATING
A	BODY	1	BLACK
NO	DESCRIPTION	QTY	MATERIAL
UNLESS OTHERWISE SPECIFIED TOLERANCES			
Singatron Enterprise Co., Ltd. 信亨企業股份有限公司			
TITLE: CIRCULAR MIDDLE SIZE (SOLDER/LOCK TYPE)			
DWG: Horlen PART NO.2CM3006-W12300H			
CHKD: STEVE SCALE 2:1 UNIT: mm			
APVD: TONY SIZE: A3 SHEET: 1 OF 1 REV: A			

CUSTOMER COPY