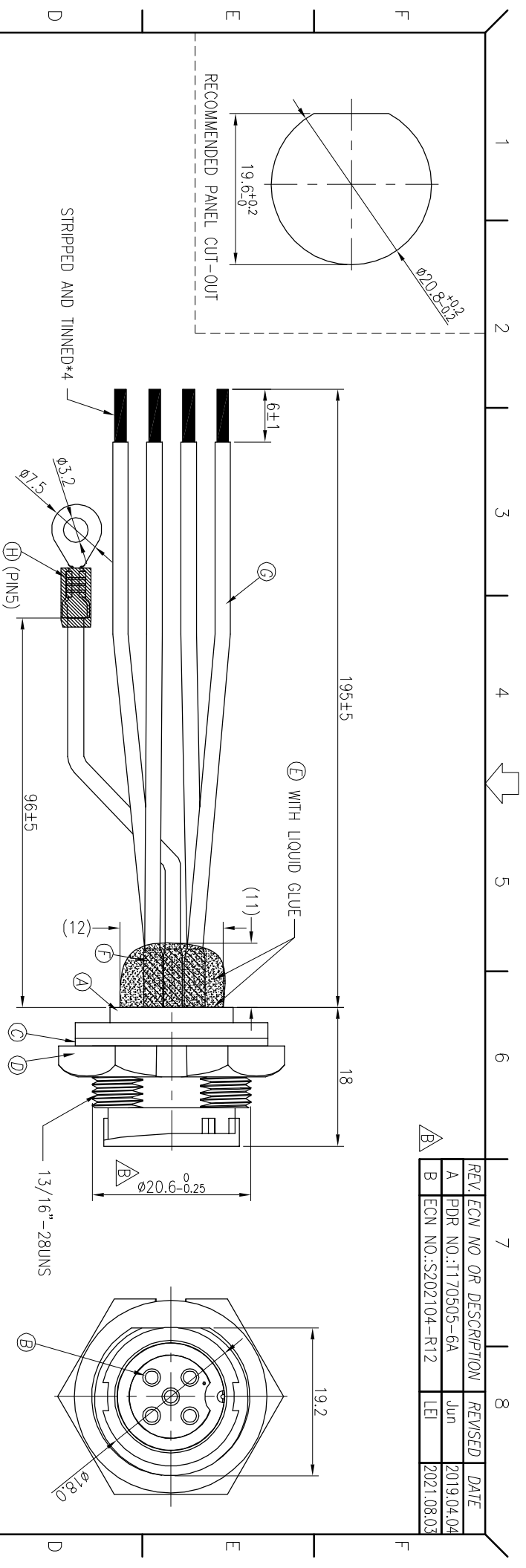
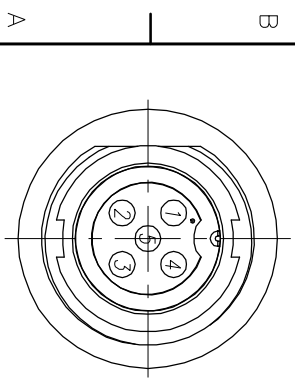


REV.	ECN NO.	OR DESCRIPTION	REVISED	DATE
A	PDR NO.:T170505-6A		Jun	2019.04.04
B	ECN NO.:S202104-R12	LEI		2021.08.03



YELLOW/GREEN	Terminal	5
WHITE		4
BLUE		3
RED		2
BLACK		1
WIRE COLOR		PIN
		PIN OUT



- NOTES:
1. WATERPROOF RATE: IP67
 2. ELECTRICAL CHARACTERISTICS
 3. SPECIFICATIONS:SEE "CIRCULAR SERIES SPECIFICATIONS"
 4. TO CONFORM TO SINGATRON HAZARDOUS SUBSTANCE FREE SPEC.
 5. GREEN PRODUCT IDENTIFICATION LABEL ON PACKAGING: **G.P. PASS**
 6. FOR PANEL THICKNESS MAX OF 3.5mm
1. WATERPROOF RATE: IP67
 IP67: IMMERSED IN 1M WATER FOR 30 MINUTES
 2. ELECTRICAL CHARACTERISTICS
 TEMPERATURE RANGE: -40°C TO +105°C
 VOLTAGE RATING: 70V DC
 CURRENT RATING: 10A
 HI-POT TEST: 2000VDC/1500VAC (60SEC)
 3. SPECIFICATIONS:SEE "CIRCULAR SERIES SPECIFICATIONS"
 4. TO CONFORM TO SINGATRON HAZARDOUS SUBSTANCE FREE SPEC.
 5. GREEN PRODUCT IDENTIFICATION LABEL ON PACKAGING: **G.P. PASS**

H	TERMINAL	1	R3Z0452BS2 C2680	NICKEL PLATING
G	WIRE	5	UL3135 18AWG UV VW-1	SEE PIN OUT (SILICONE INSULATOR)
F	TUBE	6	$\phi 3.2$ 600V	BLACK
E	LIQUID GLUE	1	N/A	BLACK
D	NUT	1	PA10T+GF	BLACK
C	GASKET	1	SILICONE	BLACK
B	FEMALE PIN	5	PHOSPHOR BRONZE	GOLD PLATED OVER NICKEL PLATING
A	BODY	1	PA10T+GF UL94-V0	BLACK
NO	DESCRIPTION	QTY	MATERIAL	PLATING & COLOR

UNLESS OTHERWISE SPECIFIED TOLERANCES

Suzhou Singatron Auto Electronics CO.,LTD.
 苏州信誉汽车电子有限公司

TITLE	CIRCULAR MIDDLE SIZE (SOLDER/LOCK TYPE)
DWN	LEI
CHKD	SCALE1:5:1 UNIT: mm
APVD	SIZE: A3 SHEET: 1 OF 1 REV: B

DECIMALS: ANGLES:
 X :±0.5 X :±2'
 X X :±0.3 X X :±1'
 X.XX :±0.2

PIN ASSIGNMENTS
FRONT VIEW

CUSTOMER COPY