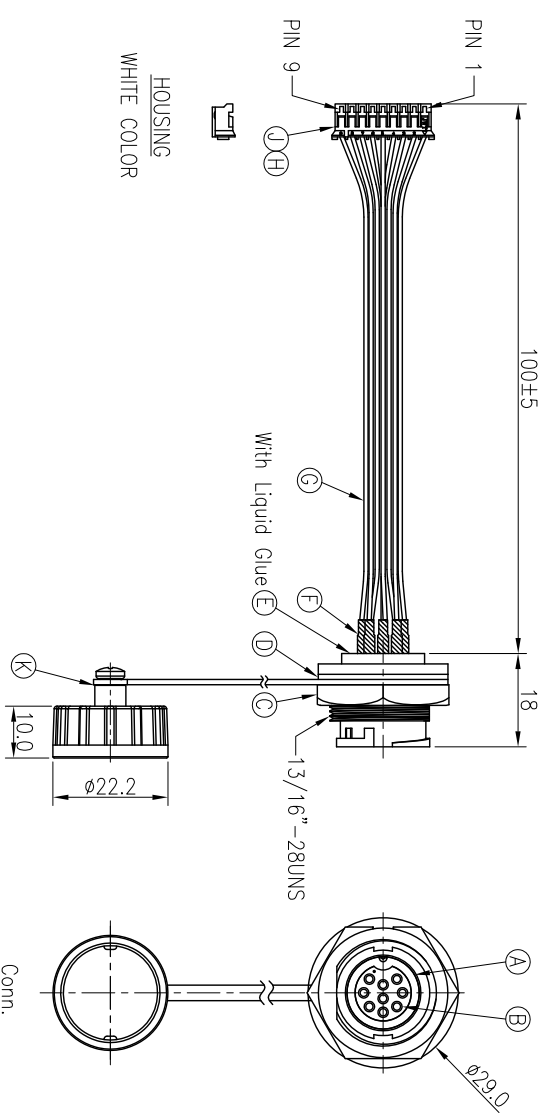
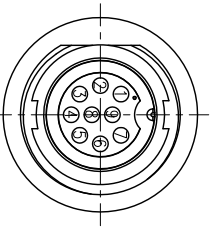


REV.	ECN NO.	OR DESCRIPTION	REVISED	DATE
A	PDR NO.:S121220-4E	JF		2013.03.04

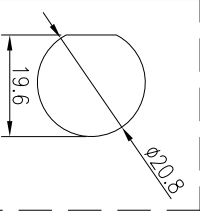


WATERPROOF RATE: IP67

9	BLACK	9
8	RED	8
7	PINK	7
6	GRAY	6
5	YELLOW	5
4	GREEN	4
3	WHITE	3
2	BLUE	2
1	BROWN	1
HOUSING WIRE COLOR		Conn.



Pin Assignments  
Front View



RECOMMENDED  
PANEL CUT-OUT

- NOTES:
1. WATERPROOF RATE: IP67  
IP67: IMMERSED IN 1M WATER FOR 30 MINUTES
  2. CURRENT RATING: 5A
  3. SPECIFICATIONS:SEE "CIRCULAR SERIES SPECIFICATIONS".
  4. TO CONFORM TO SINGATRON HAZARDOUS SUBSTANCE FREE SPEC.
  5. GREEN PRODUCT IDENTIFICATION LABEL ON PACKAGING: **GR PASS**
  6. FOR PANEL THICKNESS MAX 2.0mm

K	WATERPROOF CAP	1	P/N:2CM3000-W0000W	N/A
J	HOUSING	1	NYLON 66 UL 94V-0	WHITE
H	TERMINAL	9	Phosphor Bronze	TIN PLATING
G	WIRE	9	UL1007 24AWG	SEE PIN OUT
F	HEAT SHRINK TUBE	9	φ2*8mm 125°C 300V	BLACK
E	LIQUID GLUE	1	N/A	BLACK
D	GASKET	1	EPDM	BLACK
C	PANEL NUT	1	NYLON+33%GF	BLACK
B	FEMALE PIN	9	Phosphor Bronze	6u" GOLD PLATING OVER NICKEL PLATING
A	BODY	1	NYLON+33%GF	BLACK
NO	DESCRIPTION	QTY	MATERIAL	PLATING & COLOR

UNLESS OTHERWISE SPECIFIED TOLERANCES

DECIMALS:	ANGLES:
X :±0.5	X :±2°
X.X :±0.3	X.X :±1°
X.XX :±0.2	

Singatron Enterprise Co., Ltd.  
信亨企業股份有限公司

CIRCULAR MIDDLE SIZE (SOLDER TYPE)  
TITLE  
MALE CONN. FEMALE PIN 9 PIN(SA)

PART NO.2CM3014-W09301H  
DWG JF  
CHKD Harden  
APVD Steve

CUSTOMER COPY