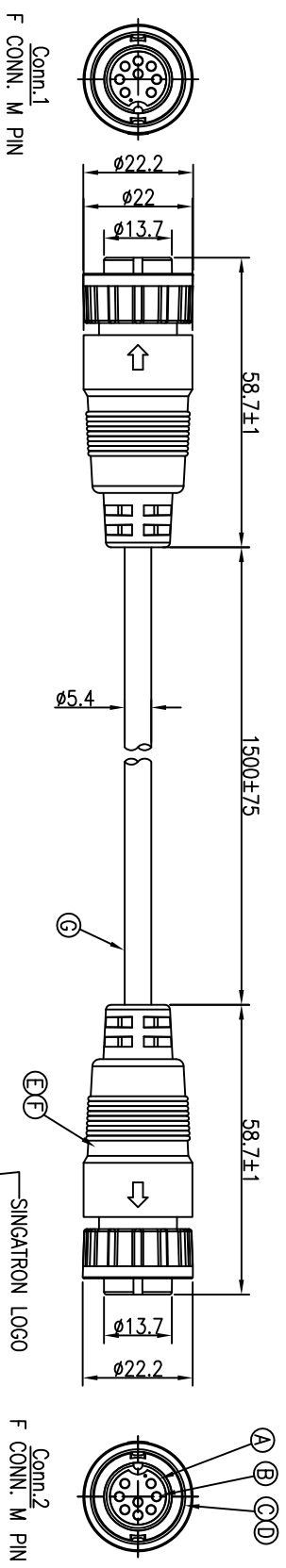
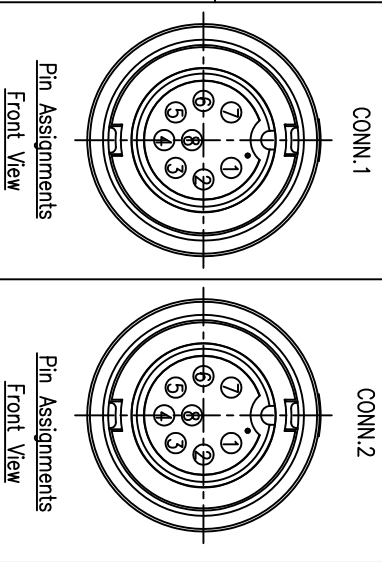


REV.	ECN NO. OR DESCRIPTION	REVISED	DATE
A	PDR NO.:S100531-1A	LILY	2010.06.01
B	ECN NO.S100917	LILY	2010.10.13
C	ECN NO.S110501	LILY	2011.05.31



CONN.1	WIRE COLOR	CONN.2
1	BLACK	1
2	BROWN	2
3	WHITE	3
4	BLUE	4
5	RED	5
6	GRAY	6
7	YELLOW	7
8	GREEN	8



- NOTES:
1. WATERPROOF RATE: IP67
 2. CURRENT RATING: 5A
 3. TO CONFORM TO SINGATRON HAZARDOUS SUBSTANCE FREE SPEC.
 4. GREEN PRODUCT IDENTIFICATION LABEL ON PACKAGING: [G.P. PASS]

G	CABLE	1	UL2464 24AWG*8C+AL	BLACK (PVC JACKET)
F	INNER MOLD	2	TPU	NATURAL
E	OVER MOLD	2	PVC	BLACK
D	O-RING	2	EPDM	BLACK
C	LOCK NUT	2	NYLON+33%GF	BLACK
B	MALE PIN	16	HBI59-1.5B	6u" GOLD PLATING OVER NICKEL PLATING
A	BODY	1	NYLON+33%GF	BLACK
NO	DESCRIPTION	QTY	MATERIAL	PLATING & COLOR

UNLESS OTHERWISE SPECIFIED TOLERANCES

DECIMALS:	ANGLES:
X :±0.5	X :±2°
X.X :±0.3	X.X :±1'
X.XX :±0.2	

Singatron Enterprise Co., Ltd.
信音企業股份有限公司

CIRCUAR MIDDLE SIZE (IP67)
FEMALE CONN. MALE 8PIN(5) LOCK TYPE

PART NO. 2CM3016-W08303

SCALE 1:1 UNIT: mm

SIZE: A2 SHEET: 1 OF 1 REV: C

CUSTOMER COPY