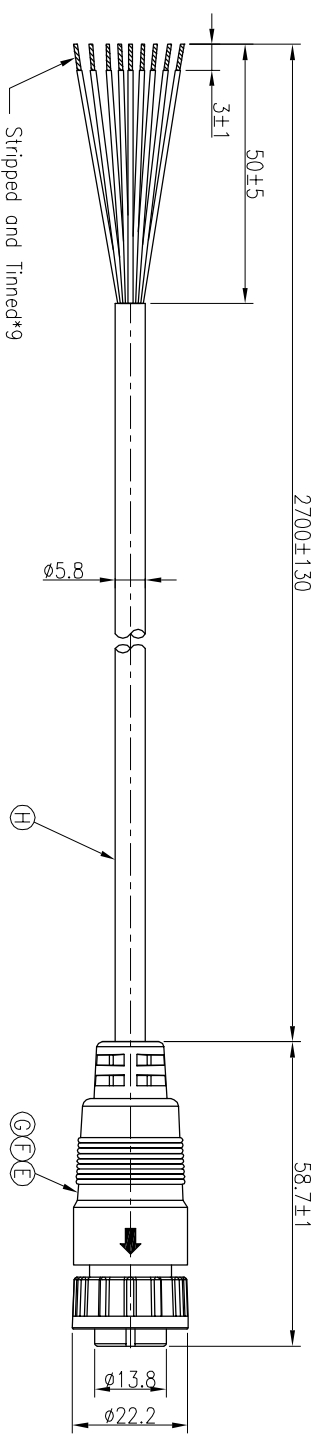
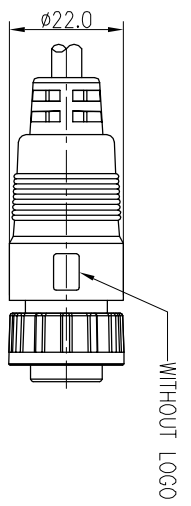
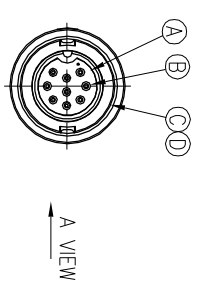


REV	ECN NO	OR DESCRIPTION	REVISED	DATE
A	PDR NO.:T181213-7A		MF	2019.1.3

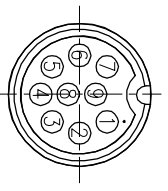


CONN.  
WATERPROOF RATE: IP67



A VIEW

9	BLACK
8	RED
7	PINK
6	GRAY
5	YELLOW
4	GREEN
3	WHITE
2	BLUE
1	BROWN
CONN. WIRE COLOR	
PIN OUT	
CONN.	



Pin Assignments  
Front View

- NOTES:
1. WATERPROOF RATE: IP67  
IP67: IMMERSED IN 1M WATER FOR 30 MINUTES
  2. CURRENT RATING: 5A
  3. SPECIFICATIONS:SEE "CIRCULAR SERIES SPECIFICATIONS".
  4. TO CONFORM TO SINGATRON HAZARDOUS SUBSTANCE FREE SPEC.
  5. GREEN PRODUCT IDENTIFICATION LABEL ON PACKAGING:

H	CABLE	1	UL2464 24AWG*9C+AL UV RESISTANT OD5.8mm	BLACK(PVC JACKET)
G	HEAT SHRINK TUBE	9	125* 300V L=9mm	BLACK
F	INNER MOLD	1	TPU	NATURAL
E	OVER MOLD	1	PVC	BLACK
D	O-RING	1	EPDM	BLACK
C	LOCK NUT	1	PA66+GF	BLACK
B	MALE PIN	9	BRASS	GOLD PLATING OVER NICKEL PLATING
A	BODY	1	PA66+GF	BLACK
NO	DESCRIPTION	QTY	MATERIAL	PLATING & COLOR
UNLESS OTHERWISE SPECIFIED TOLERANCES				
Singatron Enterprise Co., Ltd. 信管企業股份有限公司				
TITLE CIRCULAR MIDDLE SIZE (IP67)				
DWG MF PART NO.2CM3016-W09311H				
CHKD JF SCALE 1:1 UNIT: mm				
APVD William SIZE: A2 SHEET:1 OF 1 REV: A				
CUSTOMER COPY				