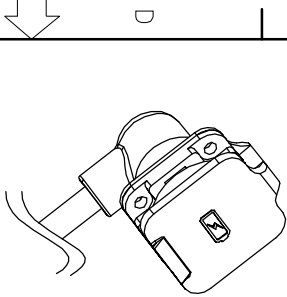
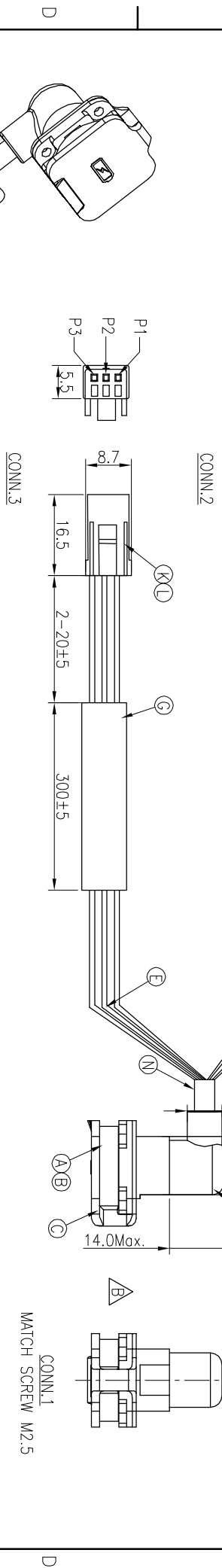
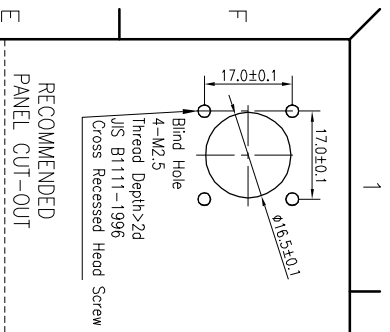
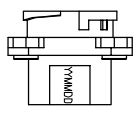


REV.	ECN NO	OR DESCRIPTION	REVISED	DATE
A	PDR NO.:	T201215-1A	MF	2022.06.18
B	ECN NO.:	S2022209-C15	MF	2022.09.28



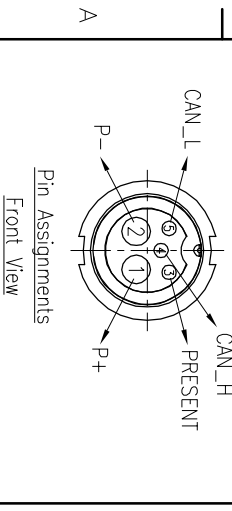
CONN1. 3D View



WIRE COLOR	CONN1	CONN2	CONN3	FUNCTION
WHITE(26#)	5	/	3	CAN_L
YELLOW(26#)	4	/	2	CAN_H
GREEN(26#)	3	/	1	PRESENT
BLACK(14#)	2	2	/	P-
RED(14#)	1	1	/	P+

- NOTES:
1. WATERPROOF RATE: IP67 WHEN MATED IP67: IMMERSED IN 1M WATER FOR 30 MINUTES.
 2. ELECTRICAL CHARACTERISTICS
 3. TO CONFORM TO SINGATRON HAZARDOUS SUBSTANCE FREE SPEC.
 4. GREEN PRODUCT IDENTIFICATION LABEL ON PACKAGING:
 5. LIFE TEST: 1,000 CYCLES Min.
 6. LASE DATE CODE "YMMDD" ON TOP OF CONN.

- CURRENT RATING: 20+2A
- DATE CODE: YMMDD
- DAY MONTH YEAR



1 2 3 4 5 6 7 8

N	TUBE	1	N/A	BLACK
M	OVER MOLD	1	PLASTIC	BLACK
L	TERMINAL	3	HongRu T20032PS-2	TIN-PLATING
K	HOUSING	1	HongRu M20032-1X3	WHITE
J	RUBBER SEAL	2	KST 7001A0092	BLACK
I	TERMINAL	2	KST 1201A0007	TIN-PLATING
H	HOUSING	1	KST 3202A0144	WHITE
G	HEAT SHRINK TUBE	2	N/A	BLACK
F	WIRE	2	UL3266 14AWG	SEE PIN OUT
E	WIRE	3	UL1450 26AWG	SEE PIN OUT
D	HEAT SHRINK TUBE	5	N/A	BLACK
C	CAP	1	EPDM	BLACK
B	FEMALE PIN	5	PHOSPHOR BRONZE	GOLD PLATING OVER NICKEL PLATING
A	BODY	1	PLASTIC	BLACK

UNLESS OTHERWISE SPECIFIED TOLERANCES

DECIMALS: ANGLES:

X :±0.5 X :±2°

X.X :±0.3 X.X :±1'

X.XX :±0.2

TITLE: CM SERIES 90° MALE CONN. FEMALE (2+3) PIN

Suzhou Singatron Auto Electronics CO.,LTD.
蘇州信營汽車電子有限公司

PART NO.:ZCM3020-W05EAIH

SCALE 1:1 UNIT: mm

SIZE: A4 SHEET: 1 OF 1 REV: B

CUSTOMER COPY