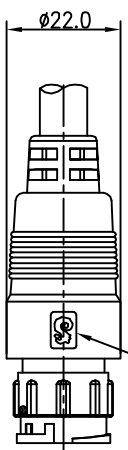
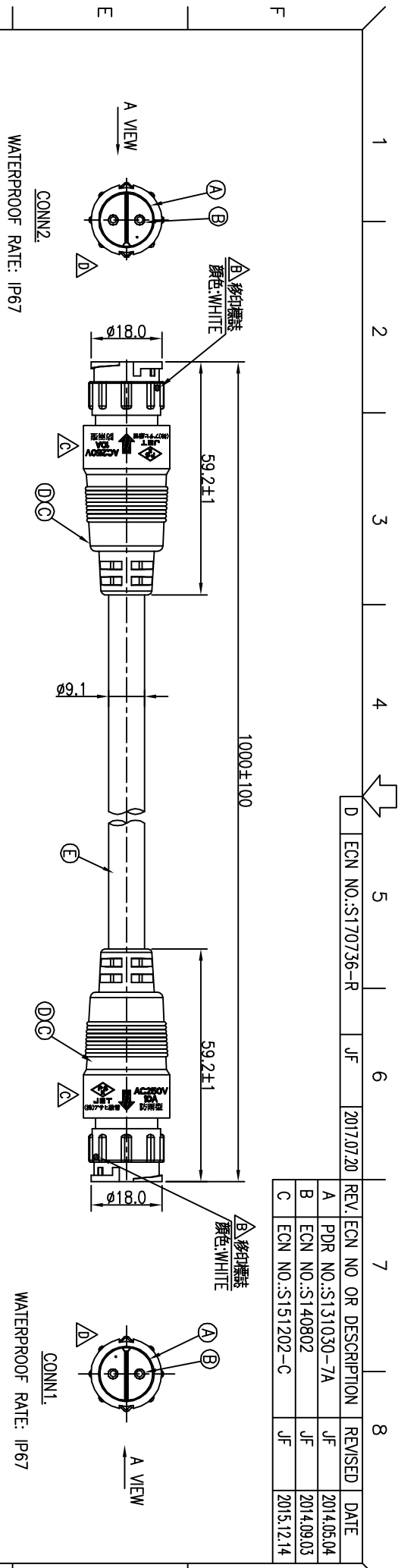
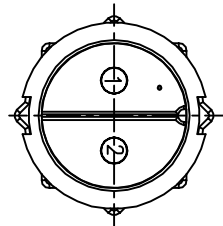


D	ECN NO.:S170736-R	JF	2017.07.20	REV./ECN NO OR DESCRIPTION	REVISED	DATE
A	PDR NO.:S131030-7A	JF	2014.05.04			
B	ECN NO.:S140802	JF	2014.09.03			
C	ECN NO.:S151202-C	JF	2015.12.14			



2	WHITE	2
1	BLACK	1
CONN1. WIRE COLOR		CONN2.
PIN OUT		
CONN1&2.		



- NOTES:
1. WATERPROOF RATE: IP67
IP67: IMMERSED IN 1M WATER FOR 30 MINUTES
 2. CURRENT RATING: 10A
 3. SPECIFICATIONS:SEE "CIRCULAR SERIES SPECIFICATIONS".
 4. TO CONFORM TO SINGATRON HAZARDOUS SUBSTANCE FREE SPEC.
 5. GREEN PRODUCT IDENTIFICATION LABEL ON PACKAGING:

E	CABLE	1	PSE 2PNC1 2*0.75mm ² OD=9.1mm	BLACK(RUBBER JACKET)
D	INNER MOLD	2	TPU	NATURAL
C	OVER MOLD	2	PVC	BLACK
B	MALE PIN	4	BRASS	(1~3)u" GOLD PLATING OVER NICKEL PLATING
A	BODY	2	NYLON+GF	BLACK
UNLESS OTHERWISE SPECIFIED TOLERANCES				
TITLE: Singatron Enterprise Co., Ltd. 信亨企業股份有限公司				
TITLE: CIRCULAR MIDDLE SIZE (IP67) MALE CONN. MALE PIN 2 PNL(10A) LOCK TYPE				
DECIMALS:	ANGLES:	PART NO.:2CM3024-W02403H		
X :±0.5 X :±2		DMN	JF	SCALE 1:1 UNIT: mm
XX :±0.3 XX :±1		CHKD	Yang	
XXX :±0.2		APVD	Horlen	SIZE: A3 SHEET:1 OF 1 REV: D

CUSTOMER COPY