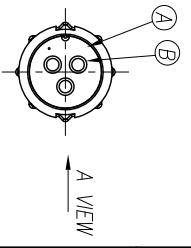
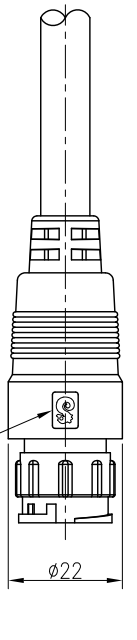
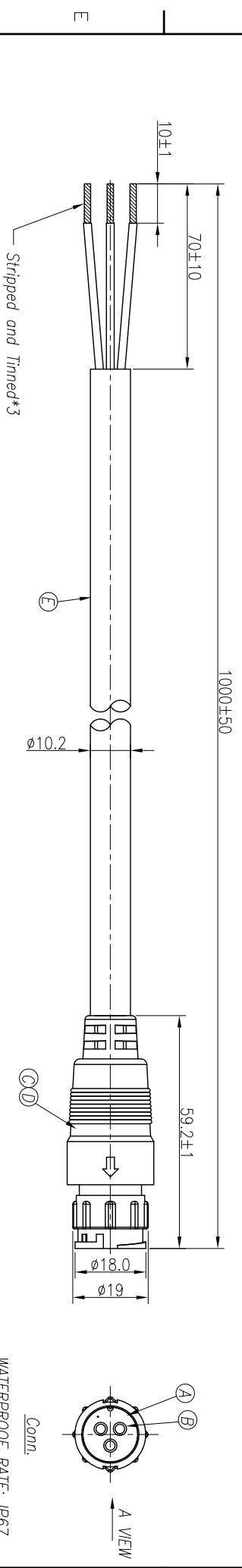
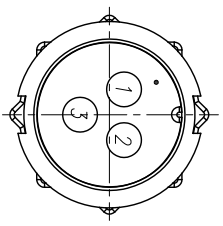


REV.	ECN NO.	OR DESCRIPTION	REVISED	DATE
A	PDR NO.:S110725-7A		Glen	2011.09.01
B	ECN NO.:S131163		Vicky	2013.11.29



YELLOW/GREEN	3
BLUE	2
BROWN	1
WIRE COLOR	CONN.
PIN OUT	



- NOTES:
- ELECTRICAL CHARACTERISTICS:
 - CURRENT RATING: 10 AMPS
 - CONTACT RESISTANCE: 30hm Max.
 - INSULATION RESISTANCE: 100 Mohm Min. at 500VDC
 - BREAKDOWN VOLTAGE: 1000 VAC PER MINUTE
 - MECHANICAL CHARACTERISTICS: CONTACT ACCOMMODATION:3G*1.5mm²
 - ENVIRONMENTAL:
 - OPERATING TEMPERATURE: -20° TO +80°
 - SEALING REQUIREMENTS: IP67
 - LIFE TEST: 1,000 CYCLES MIN.
 - OTHER GENERAL SPEC. TO REFER CIRCULAR MIDDLE SIZE SERIES SPEC.
 - FOR TECHNICAL DATA REFER TO YOUR LOCAL SINGAIRON ELECTRONICS SALES OFFICE
 - ALL DIMENSIONS ARE NOMINAL FOR REFERENCE ONLY UNLESS OTHERWISE STATED
 - TO CONFORM TO SINGAIRON HAZARDOUS SUBSTANCE FREE SPEC
 - GREEN PRODUCT IDENTIFICATION LABEL ON PACKAGING

NO	DESCRIPTION	QTY	MATERIAL	PLATING & COLOR
E	CABLE	1	H07RN-F 450/750 3G*1.5mm ²	BLACK(RUBBER JACKET)
D	INNER MOLD	1	THERMOPLASTIC	NATURAL
C	OVER MOLD	1	THERMOPLASTIC	BLACK
B	MALE PIN	3	COPPER ALLOY	(1~3)u" GOLD PLATING OVER NICKEL PLATING
A	BODY	1	THERMOPLASTIC	BLACK

UNLESS OTHERWISE SPECIFIED TOLERANCES

DECIMALS:	ANGLES:
X :±0.5	X :±2°
X.X :±0.3	X.X :±1°
X.XX :±0.2	

Singatron Enterprise Co., Ltd.
信譽企業股份有限公司

CIRCULAR MIDDLE SIZE (IP67)
MALE CONN. MALE 3PIN LOCK TYPE

DWN Vicky PART NO.2CM3024-W03420H
CHKD Halen SCALE 1:1 UNIT: mm
APVD Quon SIZE: A3 SHEET:1 OF 1 REV: B

CUSTOMER COPY

Pin Assignments
Front View

G.P. PASS

XF#008 RO-06-045-A