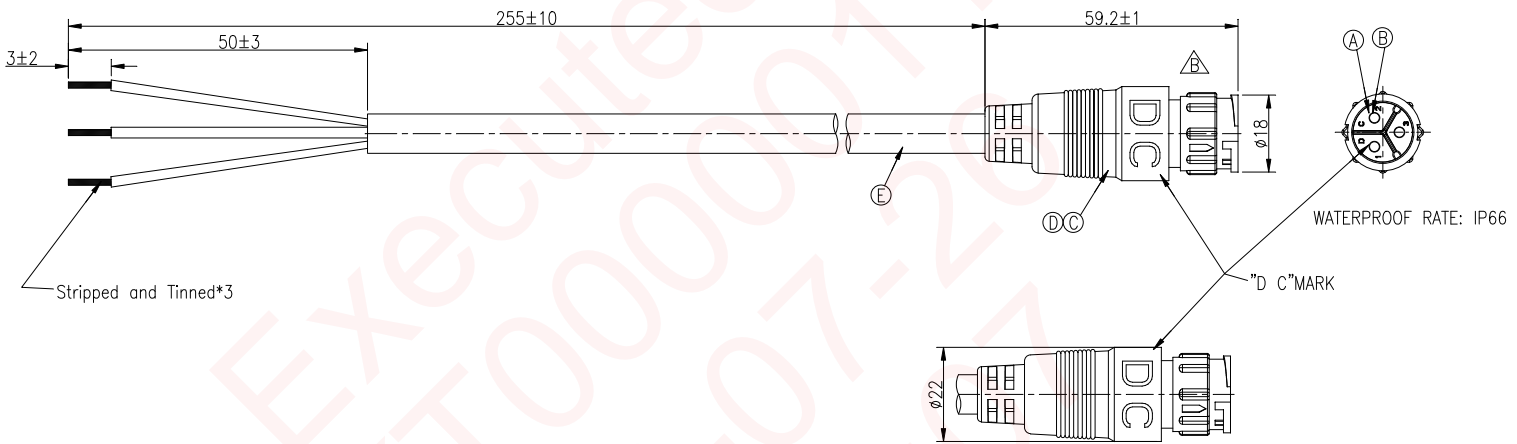
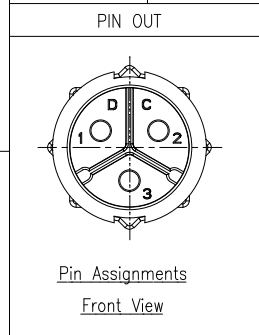


REV.	ECN NO. OR DESCRIPTION	REVISED	DATE
A	PDR NO.:S110715-3A	LILY	2011.08.04
B	ECN NO.:S140533	YF	2014.05.29
C	ECN NO.:A180706-R	JAY	2018.07.16



YELLOW/GREEN	3
BLACK	2
RED	1
WIRE COLOR	CONN.



- NOTES:
1. WATERPROOF RATE: IP66
 2. CURRENT RATING: 10A
 3. SPECIFICATIONS:SEE "CIRCULAR SERIES SPECIFICATIONS".
 4. TO CONFORM TO SINGATRON HAZARDOUS SUBSTANCE FREE SPEC.
 5. GREEN PRODUCT IDENTIFICATION LABEL ON PACKAGING: **(G.P. PASS)**

E	CABLE	1	ZR-RVV 3*1mm ² (零供)	BLACK
D	INNER MOLD	1	ABS 94V-0	NATURAL
C	OVER MOLD	1	PVC VW-1	BLACK
B	MALE PIN	3	BRASS	(1~3)u" GOLD PLATING OVER NICKEL PLATING
A	BODY	1	PA66+30%GF(94V-0)	BLACK
NO	DESCRIPTION	QTY	MATERIAL	PLATING & COLOR

UNLESS OTHERWISE SPECIFIED TOLERANCES

Singatron Enterprise Co., Ltd.
信音企業股份有限公司

DECIMALS:	ANGLES:	TITLE	CIRCULAR MIDDLE SIZE (IP66) MALE CONN. MALE 3 PIN LOCK TYPE		
X :±0.5	X :±2°	DWN	JAY	PART NO.2CM3024-W03422H	
X.X :±0.3	X.X :±1°	CHKD	JF	SCALE 1:1	UNIT: mm
X.XX :±0.2		APVD	STEVE	SIZE: A3	SHEET:1 OF 1

REV: C

CUSTOMER COPY