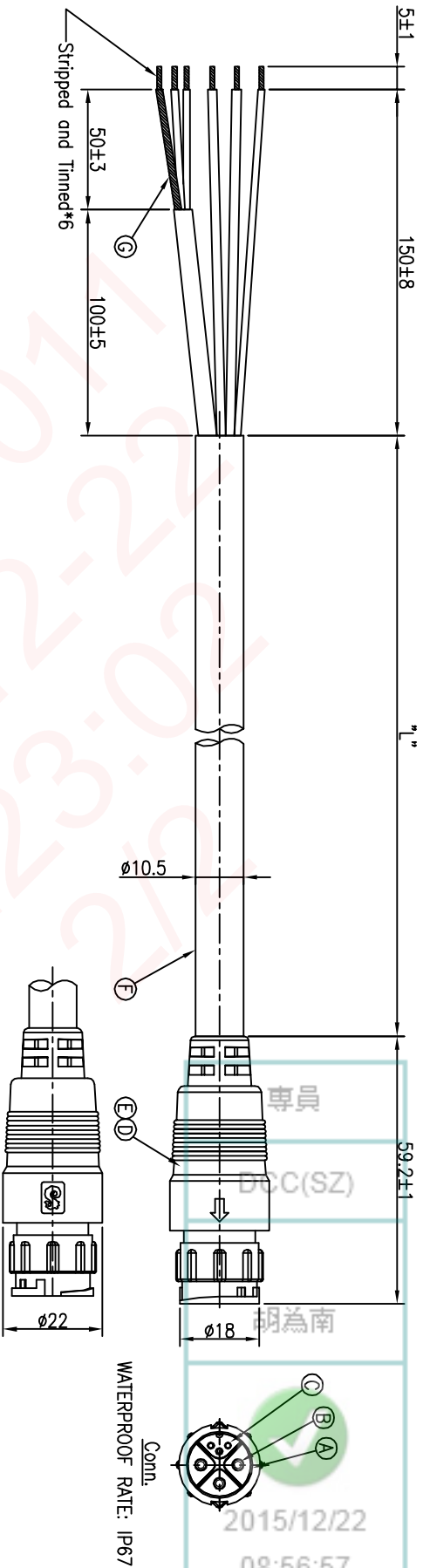


REV	ECN NO OR DESCRIPTION	REVISED	DATE
A	PDR NO.:S150108-2A~2C	JF	2015.12.11



SINGATRON P/N	Length mm
ZCM3024-W06802H	1500±75
ZCM3024-W06803H	2000±100
ZCM3024-W06804H	3500±175

BLACK(22AWG)	6
BRAID	5
RED(22AWG)	4
BROWN(1.5mm <sup>2</sup> )	3
BLUE(1.5mm <sup>2</sup> )	2
YELLOW/GREEN(0.5mm <sup>2</sup> )	1
WIRE COLOR	CONN.
PIN OUT	
CONN.	



NOTES:

1. WATERPROOF RATE: IP67
2. ELECTRICAL CHARACTERISTICS  
CURRENT RATING: 10+5A
3. SPECIFICATIONS:SEE "CIRCULAR SERIES SPECIFICATIONS".
4. TO CONFORM TO SINGATRON HAZARDOUS SUBSTANCE FREE SPEC.
5. GREEN PRODUCT IDENTIFICATION LABEL ON PACKAGING:

NO	DESCRIPTION	QTY	MATERIAL	PLATING & COLOR
A	BODY	1	NYLON+GF	BLACK
B	MALE PIN	3	BRASS	1~3u" GOLD PLATING OVER NICKEL PLATING
C	MALE PIN	3	BRASS	1~3u" GOLD PLATING OVER NICKEL PLATING
D	OVER MOLD	1	PVC	BLACK
E	INNER MOLD	1	TPU	NATURAL
F	CABLE	1	(1P*22AWG+AB+COVERING) H2C*1.5mm <sup>2</sup> +1*0.5mm <sup>2</sup> +F+P	BLACK(MATT PU)
G	HEAT SHRINK TUBE	1	φ1.5 125°C 300V	BLACK

UNLESS OTHERWISE SPECIFIED TOLERANCES

DECIMALS:	ANGLES:	TITLE	CIRCULAR MIDDLE SIZE (IP67) LOCK TYPE
X :±0.5	X :±2°	DMN	JF
XX :±0.3	XX :±1°	CHKD	Yang
XXX :±0.2		APVD	Harlen

Singatron Enterprise Co., Ltd.  
信亨企業股份有限公司

PART NO. ZCM3024-W0680XH  
SCALE 1:1 UNIT: mm  
SHEET: 1 OF 1 REV: A

CUSTOMER COPY