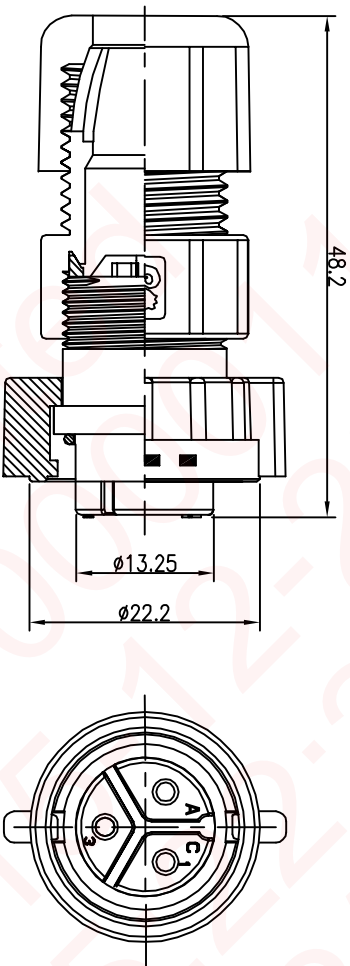
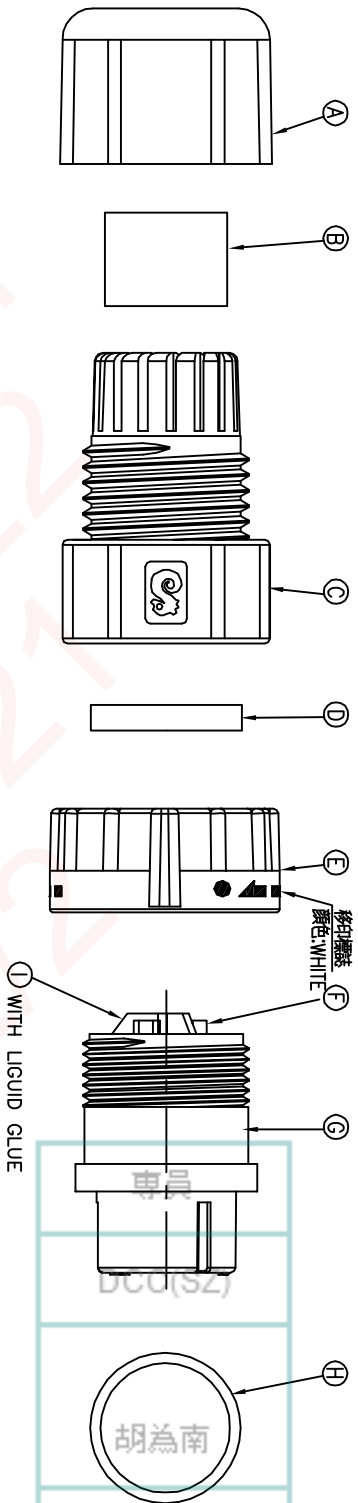


REV.	ECN NO	OR DESCRIPTION	REVISED	DATE
A	PDR NO.:	S150306-6A	JF	2015.12.17



- NOTES:
1. WATERPROOF RATE: IP67  
IP67: IMMERSED IN 1M WATER FOR 30 MINUTES
  2. CURRENT RATING: 10A
  3. SPECIFICATIONS: SEE "CIRCULAR SERIES SPECIFICATIONS".
  4. TO CONFORM TO SINGATRON HAZARDOUS SUBSTANCE FREE SPEC.
  5. GREEN PRODUCT IDENTIFICATION LABEL ON PACKAGING:

I	LIQUID GLUE	1	N/A	BLACK
H	O-RING	1	EPDM	BLACK
G	BODY	1	NYLON+GF	BLACK
F	FEMALE PIN	3	Phosphor Bronze	(1~3) $\mu$ " GOLD PLATING OVER NICKEL PLATING
E	LOCK NUT	1	PC 9330	BLACK
D	GASKET	1	SILICONE	BLACK
C	CLAMP RING	1	PC 9330	BLACK
B	SEAL	1	EPDM	BLACK
A	SEALING NUT	1	NYLON+GF	BLACK
NO	DESCRIPTION	QTY	MATERIAL	PLATING & COLOR
UNLESS OTHERWISE SPECIFIED TOLERANCES				
Singatron Enterprise Co., Ltd. 信亨企業股份有限公司				
TITLE: CIRCULAR MIDDLE SIZE (IP67) FEMALE CONN. FEMALE 3 PIN LOCK TYPE				
DECIMALS:	ANGLES:			
X :±0.5	X :±2			
X.X :±0.3	X.X :±1'			
X.XX :±0.2				
DWN	JF	PART NO.:	2CM3092-W03405H	
CHKD	Yang	SCALE:	2:1	UNIT: mm
APVD	Harlen	SIZE:	A3	SHEET: 1 OF 1
REV: A				

CUSTOMER COPY