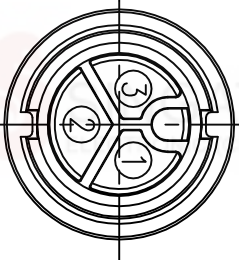
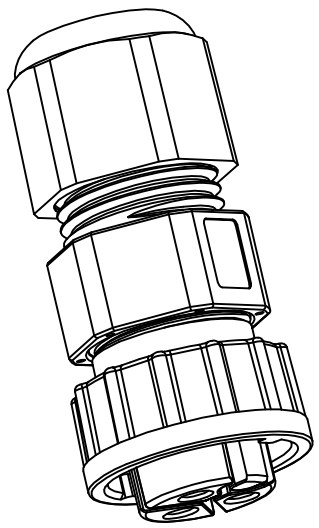
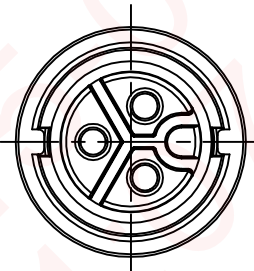
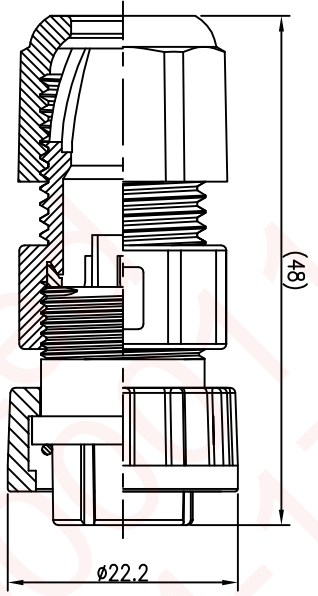
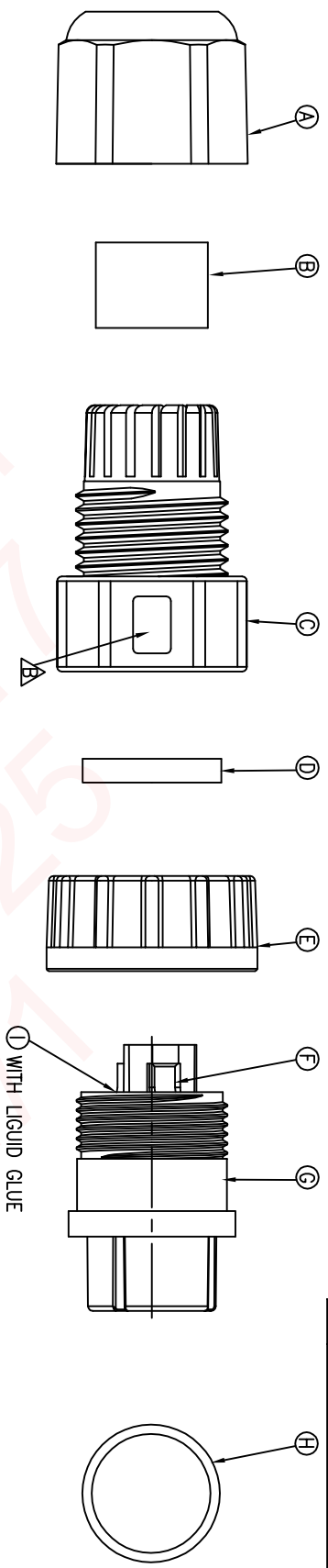



REV.	ECN NO OR DESCRIPTION	REVISED	DATE
A	PDR NO.:S131125-8F	Shown	2014.05.09
B	ECN NO.:S141261	Rev	2015.04.03



Pin Assignments
Front View

- NOTES:
1. ELECTRICAL CHARACTERISTICS:
 1-1 CURRENT RATING: 20 AMPS.
 1-2 CONTACT RESISTANCE: 30 mOhm Max.
 1-3 INSULATION RESISTANCE: 100 MOhm Min. at 500VDC.
 1-4 BREAKDOWN VOLTAGE: 1000 VAC PER MINUTE.
2. MECHANICAL CHARACTERISTICS:
 2-1 TIGHTENING TORQUES: 1.0~1.2Nm(8.85~10.62lbf.in.).
 2-2 MECHANICAL CHARACTERISTICS:CONTACT ACCOMMODATION:14~16 AWG.
3. ENVIRONMENTAL:
 3-1 OPERATING TEMPERATURE: -40°C TO +105°C.
 3-2 SEALING REQUIREMENTS: IP67.
 3-3 SEAL FOR CABLE OD:φ6.0mm~φ9.0mm.
4. LIFE TEST: 1,000 CYCLES MIN.
5. OTHER GENERAL SPEC TO REFER "CIRCULAR SERIES GENERAL SPEC".
6. FOR TECHNICAL DATA REFER TO YOUR LOCAL SINGATRON ELECTRONICS SALES OFFICE.
7. ALL DIMENSIONS ARE NOMINAL FOR REFERENCE ONLY UNLESS OTHERWISE STATED.
8. TO CONFORM TO SINGATRON HAZARDOUS SUBSTANCE FREE SPEC.
9. TO CONFORM TO SINGATRON IDENTIFICATION LABEL ON PACKAGING [see Table 1].

I	LIQUID GLUE	1	N/A	BLACK
H	O-RING	1	SILICONE	RED
G	BODY	1	PA66+GF	BLACK
F	FEMALE PIN	3	Phosphor Bronze	1~3u" GOLD PLATING OVER NICKEL PLATING
E	LOCK NUT	1	PA66+GF	BLACK
D	GASKET	1	SILICONE	BLACK
C	CLAMP RING	1	PC	BLACK
B	SEAL	1	EPDM	BLACK
A	SEALING NUT	1	PA66	BLACK
NO	DESCRIPTION	QTY	MATERIAL	PLATING & COLOR
UNLESS OTHERWISE SPECIFIED TOLERANCES				
 Singatron Enterprise Co., Ltd. 信晉企業股份有限公司				
TITLE: CIRCULAR MIDDLE SIZE (IP67) ASSEMBLY FEMALE CONN. FEMALE 3 PIN LOCK TYPE				
DWN	LIN	PART NO.	SCALE	UNIT
X	:±0.5	X	:±2	
X.X	:±0.3	X.X	:±1'	
X.XX	:±0.2			
APVD	Horlen	SIZE: A3	SHEET: 1 OF 1	REV: B

CUSTOMER COPY