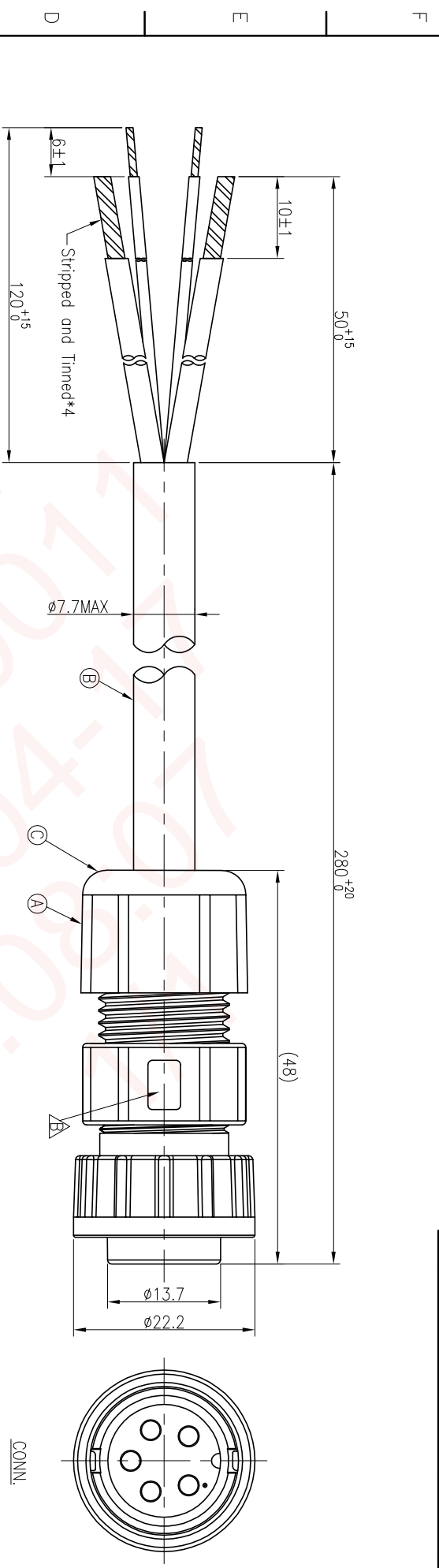
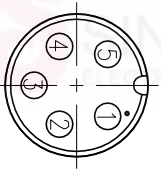


REV.	ECN NO.	OR DESCRIPTION	REVISED	DATE
A	PDR NO. T121127-6A	JF		2013.01.09
B	ECN NO.:S141261	BA	LIN	2015.04.03



WATERPROOF RATE: IP67

CONN.	PIN OUT
5	WHITE (22AWG)
4	YELLOW (22AWG)
3	BLACK (14AWG)
2	RED (14AWG)
1	WIRE COLOR



Pin Assignments
Front View

NOTES:

1. WATERPROOF RATE: IP67
2. IP67: IMMERSED IN 1M WATER FOR 30 MINUTES
3. CURRENT RATING: 5+10A
4. SPECIFICATIONS:SEE "CIRCULAR SERIES SPECIFICATIONS."
5. TO CONFORM TO SINGATRON HAZARDOUS SUBSTANCE FREE SPEC.
6. GREEN PRODUCT IDENTIFICATION LABEL ON PACKAGING: **GR-PASS**

C	HEAT SHRINK TUBE	4	Ø2*7	BLACK
B	CABLE	1	UL 2464 14AWG*2C+ 22AWG*2C+A/Ny OD=7.5mm	BLACK
A	CONNECTOR	1	P/N:2CM3032-W05400	BLACK
NO	DESCRIPTION	QTY	MATERIAL	PLATING & COLOR
UNLESS OTHERWISE SPECIFIED TOLERANCES				
Singatron Enterprise Co., Ltd. 信亨企業股份有限公司				
TITLE: CIRCULAR MIDDLE SIZE (IP67) FEMALE CONN. FEMALE SPIN LOCK TYPE				
DECIMALS:	ANGLES:			
X :±0.5	X :±2°			
X.X :±0.3	X.X :±1°			
X.XX :±0.2				
APVD	Harlen	SIZE: A3	SHEET: 1 OF 1	REV: B

CUSTOMER COPY