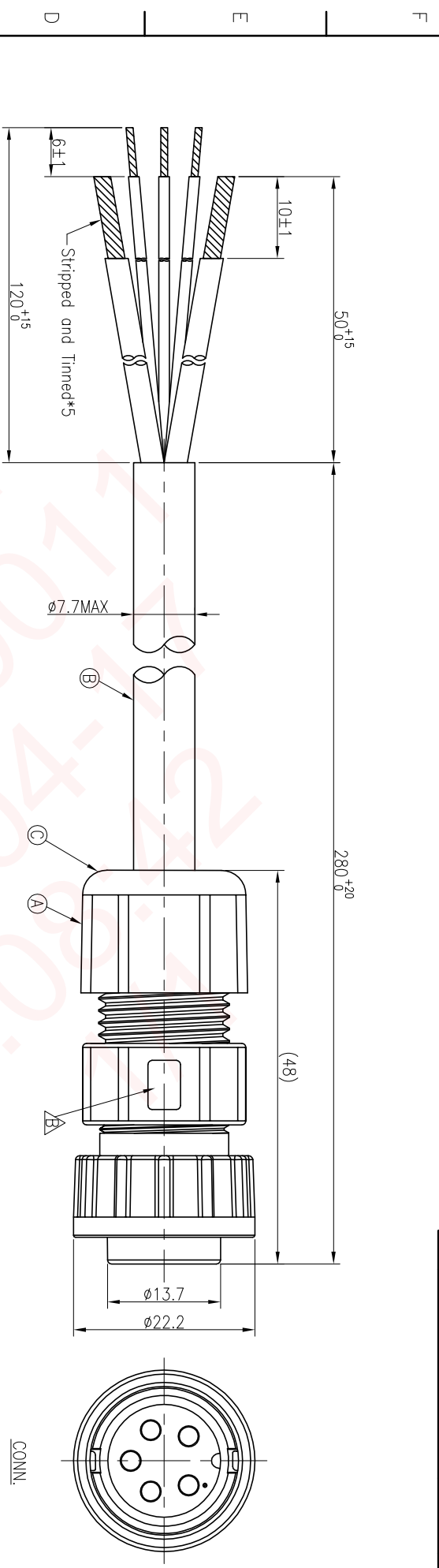
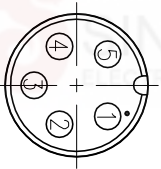


REV.	ECN NO.	OR DESCRIPTION	REVISED	DATE
A	PDR NO. T121218-9A		JF	2013.06.14
B	ECN NO.:S141261		LIN	2015.04.07




5	BLUE (22AWG)
4	WHITE (22AWG)
3	YELLOW (22AWG)
2	BLACK (14AWG)
1	RED (14AWG)
CONN.	WIRE COLOR
PIN OUT	



Pin Assignments  
Front View

- NOTES:
1. WATERPROOF RATE: IP67
  2. CURRENT RATING: 5+10A
  3. SPECIFICATIONS:SEE "CIRCULAR SERIES SPECIFICATIONS".
  4. TO CONFORM TO SINGATRON HAZARDOUS SUBSTANCE FREE SPEC.
  5. GREEN PRODUCT IDENTIFICATION LABEL ON PACKAGING: **GR-PASS**

C	HEAT SHRINK TUBE	5	Ø2*7	BLACK
B	CABLE	1	UL 2464 14AWG*2C+ 22AWG*3C+A/My OD=7.5mm	BLACK
A	CONNECTOR	1	P/N:2CM3032-W05400	BLACK
NO	DESCRIPTION	QTY	MATERIAL	PLATING & COLOR
UNLESS OTHERWISE SPECIFIED TOLERANCES				
 Singatron Enterprise Co., Ltd. 信亨企業股份有限公司				
TITLE: CIRCULAR MIDDLE SIZE (IP67) FEMALE CONN. FEMALE SPIN LOCK TYPE				
DMN	LIN	PART NO.	SCALE	UNIT
X	X	:F0.5	X	:±2'
X.X	X.X	:F0.3	X.X	:±1'
X.XX	X.XX	:F0.2		
APVD	Harlen	SIZE: A3	SHEET: 1 OF 1	REV: B

CUSTOMER COPY