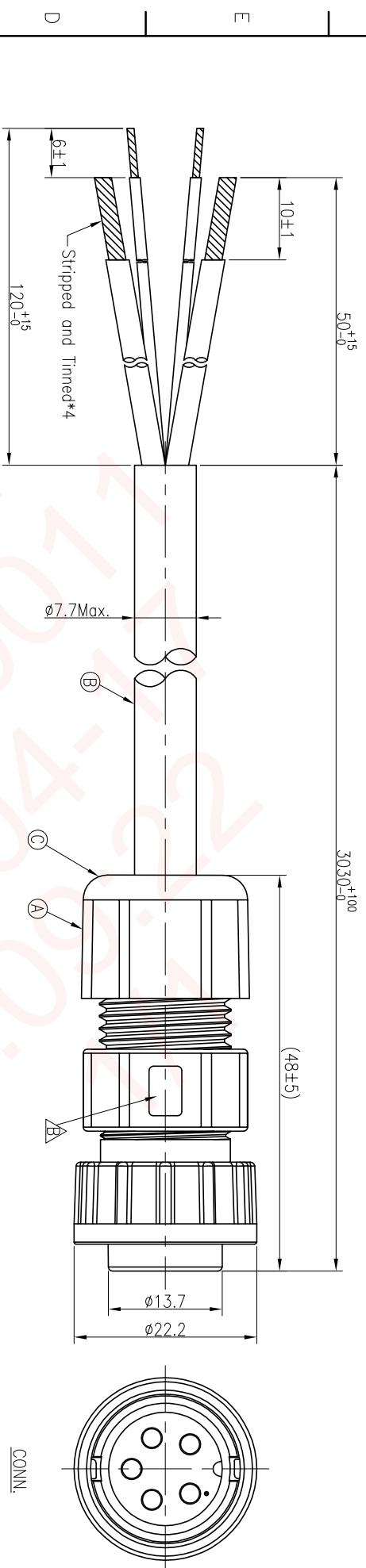
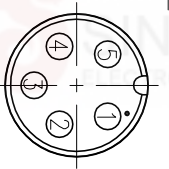


REV.	ECN NO.	OR DESCRIPTION	REVISED	DATE
A	PDR NO.: JT30821-3A		JF	2014.01.24
B	ECN NO.: S141261/R		LIN	2014.04.07



5	WHITE (22AWG)
4	YELLOW (22AWG)
3	BLACK (14AWG)
2	RED (14AWG)
1	WIRE COLOR
CONN. PIN OUT	



Pin Assignments
Front View

- NOTES:
- ELECTRICAL CHARACTERISTICS:
 - CURRENT RATING: 10 AMPS(CONN.).
 - CONTACT RESISTANCE: 3 Ohm Max.
 - INSULATION RESISTANCE: 100 MOhm Min. at 500VDC.
 - BREAKDOWN VOLTAGE: 500 VAC PER MINUTE.
 - MECHANICAL CHARACTERISTICS:
 - TIGHTENING TORQUES: 1.0~1.2Nm(8.85~10.62bf.in.).
 - ENVIRONMENTAL:
 - OPERATING TEMPERATURE: -20°C TO +80°C.
 - SEALING REQUIREMENTS: IP67.
 - LIFE TEST: 1,000 CYCLES MIN.
 - OTHER GENERAL SPEC TO REFER "CIRCULAR SERIES GENERAL SPEC".
 - FOR TECHNICAL DATA REFER TO YOUR LOCAL SINGATRON ELECTRONICS SALES OFFICE.
 - ALL DIMENSIONS ARE NOMINAL FOR REFERENCE ONLY UNLESS OTHERWISE STATED.
 - TO CONFORM TO SINGATRON HAZARDOUS SUBSTANCE FREE SPEC.
 - GREEN PRODUCT IDENTIFICATION LABEL ON PACKAGING: **GREEN PASS**.

C	HEAT SHRINK TUBE	4	Ø5.0 300V 125°C	BLACK
B	CABLE	1	UL 2464 14AWG*2C+ 22AWG*2C+A/My OD=7.5mm	BLACK
A	CONNECTOR	1	P/N: 2CM3032-W05400	BLACK
NO	DESCRIPTION	QTY	MATERIAL	PLATING & COLOR
UNLESS OTHERWISE SPECIFIED TOLERANCES				
Singatron Enterprise Co., Ltd. 信亨企業股份有限公司				
TITLE: CIRCULAR MIDDLE SIZE (IP67) FEMALE CONN. FEMALE SPIN LOCK TYPE				
DWG: LIN PART NO. 2CM3032-W05405H				
CHKD: Yang SCALE 2:1 UNIT: mm				
APVD: Harlen SIZE: A3 SHEET: 1 OF 1 REV: B				

DECIMALS:	ANGLES:
X : ±0.5	X : ±2°
X.X : ±0.3	X.X : ±1°
X.XX : ±0.2	

CUSTOMER COPY