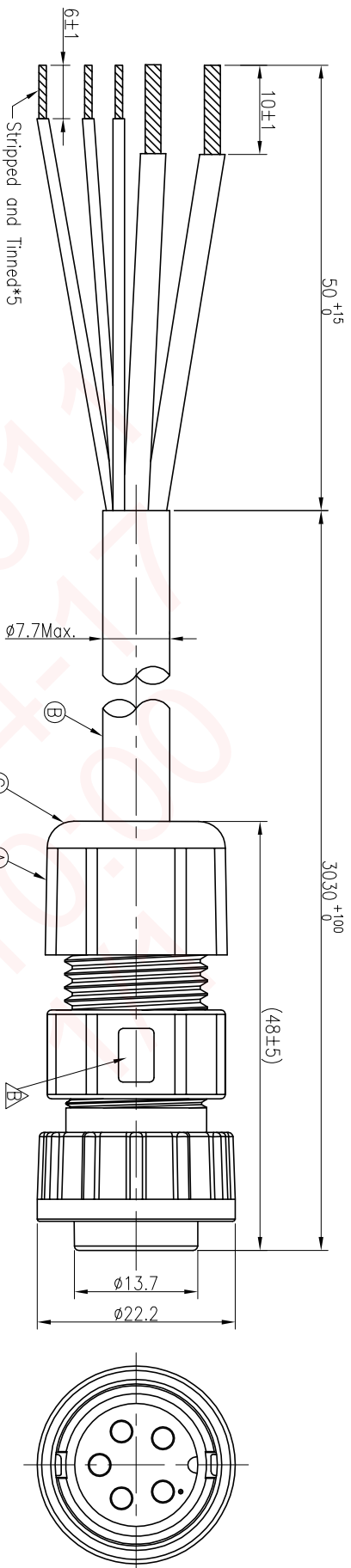
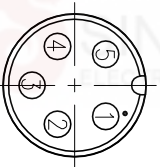


REV.	ECN NO.	OR DESCRIPTION	REVISED	DATE
A	PDR NO.:T140219-1A		JF	2014.05.04
B	ECN NO.:S141261	AB	LIN	2015.04.07




CONN.  
WATERPROOF RATE: IP67

5	BLUE (22AWG)
4	WHITE (22AWG)
3	YELLOW (22AWG)
2	BLACK (14AWG)
1	RED (14AWG)
CONN.	WIRE COLOR
	PIN OUT
	CONN.



- NOTES:
- ELECTRICAL CHARACTERISTICS:
    - CURRENT RATING: 10 AMPS(CONN.).
    - CONTACT RESISTANCE: 3 Ohm Max.
    - INSULATION RESISTANCE: 100 MOhm Min. at 500VDC.
    - BREAKDOWN VOLTAGE: 500 VAC PER MINUTE.
  - MECHANICAL CHARACTERISTICS:
    - TIGHTENING TORQUES: 1.0~1.2Nm(8.85~10.62lbf.in.).
  - ENVIRONMENTAL:
    - OPERATING TEMPERATURE: -20°C TO +80°C.
    - SEALING REQUIREMENTS: IP67.
    - LIFE TEST: 1,000 CYCLES MIN.
  - OTHER GENERAL SPEC TO REFER "CIRCULAR SERIES GENERAL SPEC".
  - FOR TECHNICAL DATA REFER TO YOUR LOCAL SINGATRON ELECTRONICS SALES OFFICE.
  - ALL DIMENSIONS ARE NOMINAL FOR REFERENCE ONLY UNLESS OTHERWISE STATED.
  - TO CONFORM TO SINGATRON HAZARDOUS SUBSTANCE FREE SPEC.
  - GREEN PRODUCT IDENTIFICATION LABEL ON PACKAGING: **GREEN PASS**.

C	HEAT SHRINK TUBE	5	ø5.0 300V 125°C	BLACK
B	CABLE	1	UL 2464 14AWG*2C+ 22AWG*3C+A/My OD=7.5mm	BLACK
A	CONNECTOR	1	P/N:2CM3032-W05400	BLACK
NO	DESCRIPTION	QTY	MATERIAL	PLATING & COLOR
UNLESS OTHERWISE SPECIFIED TOLERANCES		 Singatron Enterprise Co., Ltd. 信亨企業股份有限公司		
TITLE		CIRCULAR MIDDLE SIZE (IP67)		
DWG		FEMALE CONN. FEMALE SPIN LOCK TYPE		
CHKD		PART NO.2CM3032-W05406H		
APVD		SCALE 2:1 UNIT: mm		
		SIZE: A3 SHEET: 1 OF 1 REV: B		

Pin Assignments  
Front View

CUSTOMER COPY