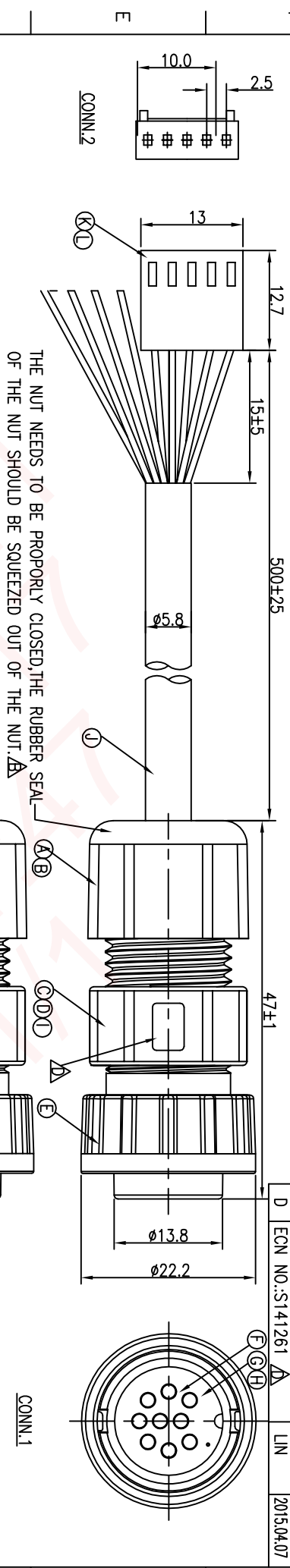
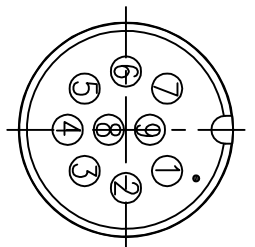


REV.	ECN NO.	OR DESCRIPTION	REVISED	DATE
A	PDR NO:TT1722-1A	LILY	2011.09.01	
B	ECN NO.:S120118	LILY	2012.04.16	
C	ECN NO.:S130725	LILY	2014.08.08	
D	ECN NO.:S141261	LIN	2015.04.07	

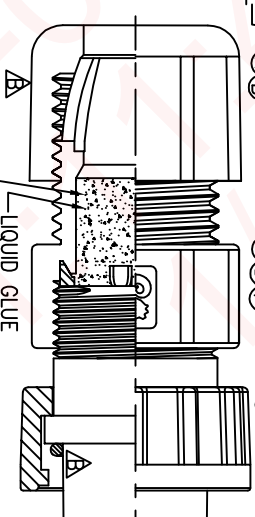


CONN.2	WIRE COLOR	CONN.1
5	BLACK	9
3	RED	8
2	PINK	7
1	GRAY	6
4	YELLOW	5
1	GREEN	4
4	WHITE	3
1	BLUE	2
1	BROWN	1
CONN.2	PIN OUT	CONN.1



Pin Assignments
Front View

THE JACKET NEED TO BE FILLED WITH THE GLUE



- NOTES:
1. WATERPROOF RATE: IP67(WHEN PROPERLY MATED) Δ
 2. CURRENT RATING: 5A
 3. SPECIFICATIONS:SEE "CIRCULAR SERIES SPECIFICATIONS".
 4. TO CONFORM TO SINGATRON HAZARDOUS SUBSTANCE FREE SPEC.
 5. GREEN PRODUCT IDENTIFICATION LABEL ON PACKAGING: Δ

NO	DESCRIPTION	QTY	MATERIAL	PLATING & COLOR
L	TERMINAL	5	BRASS	TIN-PLATING
K	HOUSING	1	NYLON 66 UL 94V-0	WHITE
J	CABLE	1	UL2464 24AWG*9C+AL UV RESISTANT	BALCK(PVC JACKET)
I	LIQUID GLUE	N/A		BLACK
H	O-RING	1	EPDM T=1.2mm	BLACK
G	BODY	1	NYLON+33%GF	BLACK
F	FEMALE PIN	9	Phosphor Bronze	6u" GOLD PLATING OVER NICKEL PLATING
E	LOCK NUT	1	NYLON+33%GF	BLACK
D	GASKET	1	SILICONE	BLACK
C	CLAMP RING	1	PC	BLACK
B	SEAL2	1	EPDM	BLACK
A	SEALING NUT	1	PA66	BLACK

DECIMALS:	ANGLES:
X :±0.5	X :±2°
XX :±0.3	XX :±1°
XXX :±0.2	

TITLE	CIRCULAR WIDIE SIZE (IP67)	FEMALE CONN. SIZE	9 PIN LOCK TYPE
DWN	LIN	PART NO.	2CM3032-W09302H
CHKD	Yang	SCALE	2:1 UNIT: mm
APVD	Harlen	SIZE: A3	SHEET: 1 OF 1 REV: D

Singatron Enterprise Co., Ltd.
信亨企業股份有限公司
CUSTOMER COPY