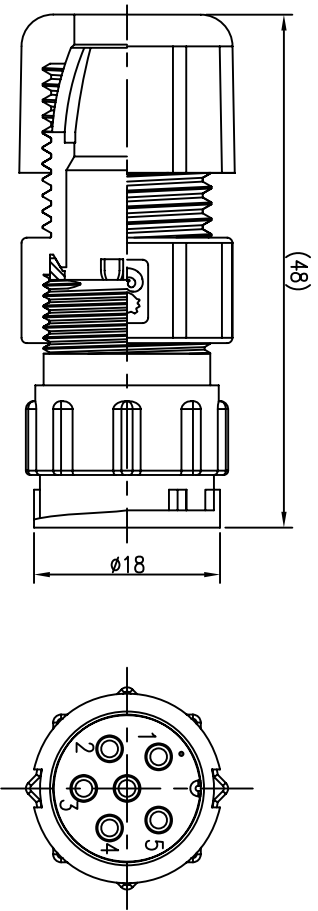
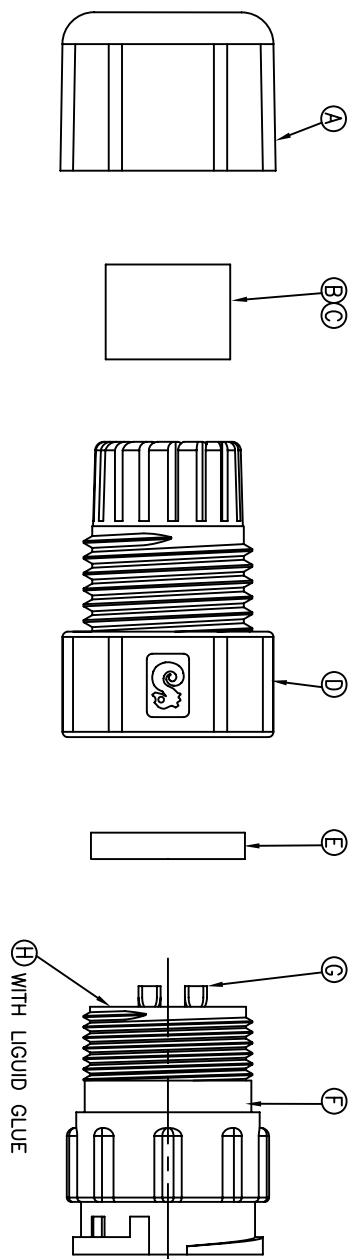


REV.	ECN NO OR DESCRIPTION	REVISED	DATE
A	PDR NO.:T090723-2A	Steve	2009.11.11



A	2CM3033-P06401		Pin Assignments Front View
	10A	18AWG~20AWG *6C	Current Rating Recommended Cable AWG
B	2CM3033-P04401		Pin Assignments Front View
	10A	18AWG~20AWG *4C	Current Rating Recommended Cable AWG

- NOTES:
1. WATERPROOF RATE: IP67
 2. SEAL1 FOR CABLE OD:φ3.0mm~φ6.0mm
 3. SEAL2 FOR CABLE OD:φ6.0mm~φ9.0mm
 4. TO CONFORM TO SINGATRON HAZARDOUS SUBSTANCE FREE SPEC.
 5. GREEN PRODUCT IDENTIFICATION LABEL ON PACKAGING: GR-PASS
 6. ORDER INFORMATION: 2CM3033-P0X401

04- 4PIN
06- 6PIN

H	LIQUID GLUE		BLACK
G	MALE PIN	*	BRASS 1u" GOLD PLATED OVER NICKEL PLATING
F	BODY	1	PPE BLACK
E	GASKET	1	SILICONE BLACK
D	CLAMP RING	1	PPE BLACK
C	SEAL2	1	EPDM BLACK
B	SEAL1	1	EPDM BLACK
A	SEALING NUT	1	PPE BLACK
NO	DESCRIPTION	QTY	MATERIAL PLATING & COLOR
UNLESS OTHERWISE SPECIFIED TOLERANCES			
Singatron Enterprise Co., Ltd. 信音企業股份有限公司			
TITLE: CIRCULAR MIDDLE SIZE (IP67) MALE CONN. MALE (4~6PIN) LOCK TYPE			
DWN: Steve PART NO. 2CM3033-P0X401			
CHKD: Quan SCALE 2:1 UNIT: mm			
APVD: Max SIZE: A3 SHEET: 1 OF 1 REV: A			
CUSTOMER COPY			