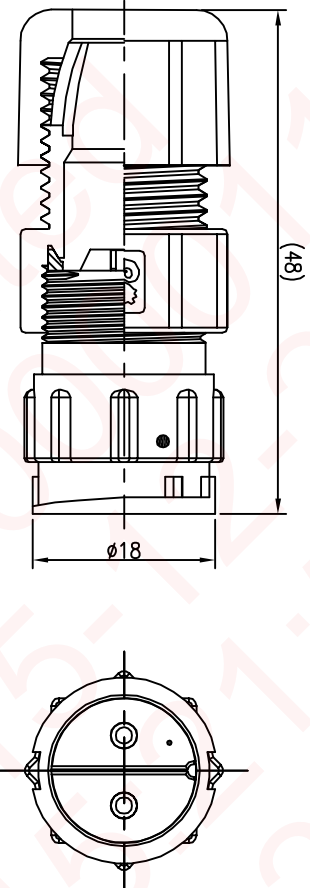
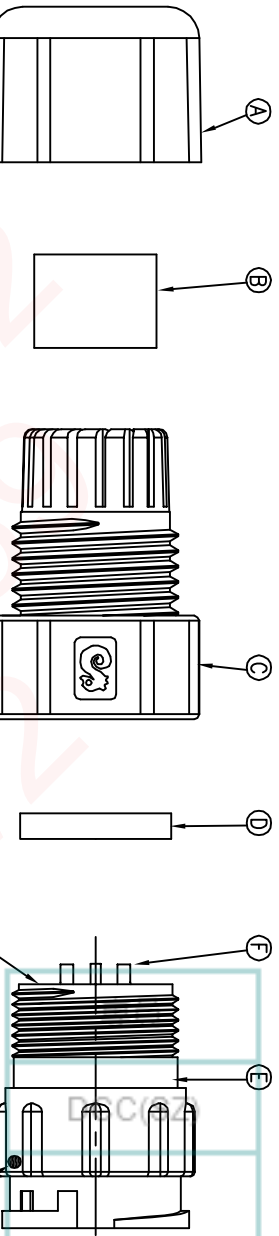


REV.	ECN NO OR DESCRIPTION	REVISED	DATE
A	PDR NO.:S150306-6D	JF	2015.12.17



NOTES:

1. WATERPROOF RATE: IP67
2. CURRENT RATING: 10A
3. SEAL FOR CABLE OD:φ8.0mm~φ10.0mm
4. SPECIFICATIONS:SEE "CIRCULAR SERIES SPECIFICATIONS".
5. TO CONFORM TO SINGATRON HAZARDOUS SUBSTANCE FREE SPEC.
6. GREEN PRODUCT IDENTIFICATION LABEL ON PACKAGING:

G	LIQUID GLUE	1	N/A	N/A
F	MALE PIN	2	HBI59-1.5B	1u" GOLD PLATING OVER NICKEL PLATING
E	BODY	1	NYLON+GF	BLACK
D	GASKET	1	SILICONE	BLACK
C	CLAMP RING	1	PC 9330	BLACK
B	SEAL	1	EPDM	BLACK
A	SEALING NUT	1	NYLON+GF	BLACK
NO	DESCRIPTION	QTY	MATERIAL	PLATING & COLOR

UNLESS OTHERWISE SPECIFIED TOLERANCES

DECIMALS:	ANGLES:
X :±0.5	X :±2°
XX :±0.3	XX :±1°
X.XX :±0.2	

Singatron Enterprise Co., Ltd. 信登企業股份有限公司	
TITLE	CIRCULAR MIDDLE SIZE (IP67) MALE CONN. ASSEMBLY TYPE
DWN	JF
CHKD	Yang
APVD	Harlen
PART NO.	2CM3039-W02405H
SCALE	2:1
UNIT	mm
SIZE	A3
SHEET	1 OF 1
REV	A

CUSTOMER COPY