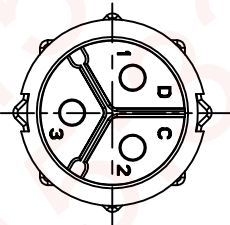
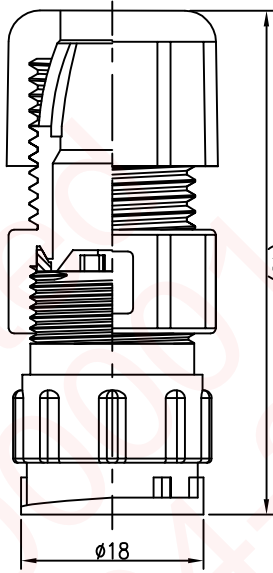
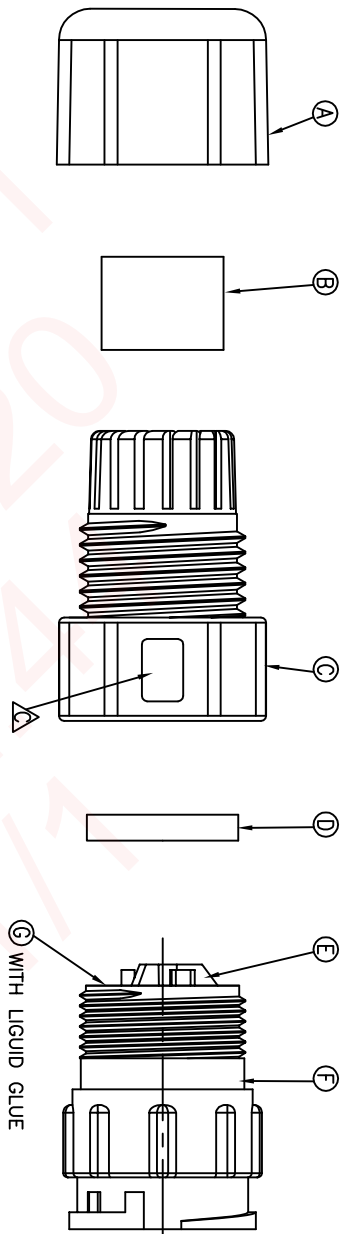


REV.	ECN NO.	OR DESCRIPTION	REVISED	DATE
A	PDR NO.S100118-1B		L1Y	2010.04.12
B	ECN NO.S130725		YF	2014.08.08
C	ECN NO.S141261		L1N	2015.04.07



- NOTES:
1. WATERPROOF RATE: IP67
IP67: IMMERSED IN 1M WATER FOR 30 MINUTES
 2. CURRENT RATING: 10A
 3. SPECIFICATIONS:SEE "CIRCULAR SERIES SPECIFICATIONS".
 4. TO CONFORM TO SINGATRON HAZARDOUS SUBSTANCE FREE SPEC.
 5. GREEN PRODUCT IDENTIFICATION LABEL ON PACKAGING:

G	LIQUID GLUE	1	N/A	BLACK
F	MALE PIN	3	Phosphor Bronze	(1~3)u" GOLD PLATING OVER NICKEL PLATING
E	BODY	1	NYLON+33%GF	BLACK
D	GASKET	1	SILICONE	BLACK
C	CLAMP RING	1	PC	BLACK
B	SEAL	1	EPDM	BLACK
A	SEALING NUT	1	PA66	BLACK
NO	DESCRIPTION	QTY	MATERIAL	PLATING & COLOR
UNLESS OTHERWISE SPECIFIED TOLERANCES				
Singatron Enterprise Co., Ltd. 信登企業股份有限公司				
TITLE: CIRCULAR MIDDLE SIZE (IP67)				
DWN: LIN MALE CONN. MALE 3 PIN LOCK TYPE				
CHKD: Yang PART NO.2CM3033-W03401				
APVD: Harlen SIZE: A3 SHEET:1 OF 1 REV: C				

DECIMALS:	ANGLES:
X : ±0.5	X : ±2°
X.X : ±0.3	X.X : ±1'
X.XX : ±0.2	

CUSTOMER COPY