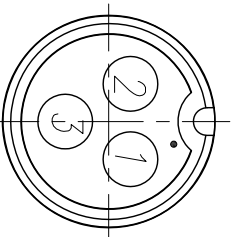
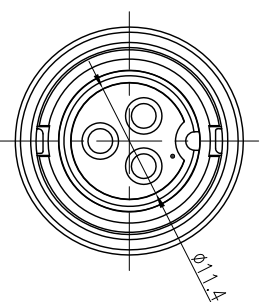
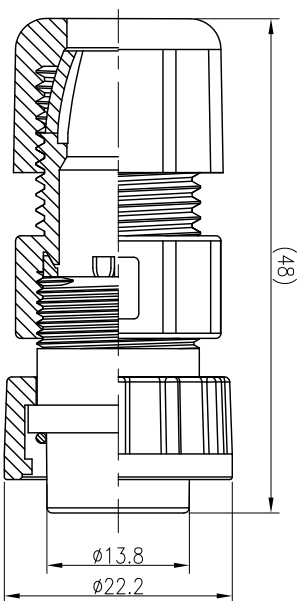
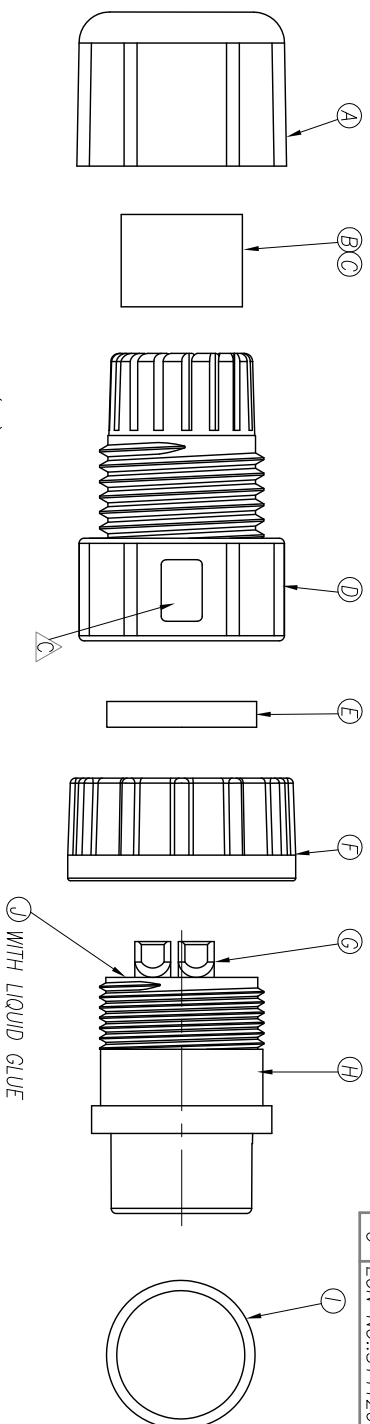


REV	ECN NO	OR DESCRIPTION	REVISED	DATE
A	PDR NO.:S110701-5A		Glen	2011.06.30
B	ECN NO.:S130725		YF	2014.08.09
C	ECN NO.:S141261		LIN	2015.04.07



Pin Assignments  
Front View

- NOTES:
1. WATERPROOF RATE: IP67  
IP67: IMMERSED IN 1M WATER FOR 30 MINUTES
  2. SEAL 1 FOR CABLE OD:  $\phi 3.0\text{mm} \sim \phi 6.0\text{mm}$   
SEAL 2 FOR CABLE OD:  $\phi 6.0\text{mm} \sim \phi 9.0\text{mm}$
  3. SPECIFICATIONS: SEE "CIRCULAR SERIES SPECIFICATIONS."
  4. TO CONFORM TO SINGATRON HAZARDOUS SUBSTANCE FREE SPEC.
  5. GREEN PRODUCT IDENTIFICATION LABEL ON PACKAGING: **G.P. PASS**

J	LIQUID GLUE	1	N/A	BLACK
I	O-RING	1	EPDM	BLACK
H	BODY	1	NYLON+GF	BLACK
G	MALE PIN	3	BRASS	1~3U" GOLD PLATED OVER NICKEL PLATING
F	LOCK NUT	1	NYLON+GF	BLACK
E	GASKET	1	SILICONE	BLACK
D	CLAMP RING	1	PC	BLACK
C	SEAL 2	1	EPDM	BLACK
B	SEAL 1	1	EPDM	BLACK
A	SEALING NUT	1	PA66	BLACK
NO	DESCRIPTION	QTY	MATERIAL	PLATING & COLOR

UNLESS OTHERWISE SPECIFIED TOLERANCES

DECIMALS: ANGLES:

X :  $\pm 0.5$  X :  $\pm 2^\circ$   
 X.X :  $\pm 0.3$  X.X :  $\pm 1'$   
 X.XX :  $\pm 0.2$

Singatron Enterprise Co., Ltd. 信音企業股份有限公司	
TITLE	CIRCULAR MIDDLE SIZE (IP67) FEMALE CONN. MALE 3PIN LOCK TYPE
DWN	LIN
CHKD	Yong
APVD	Harlen
PART NO.: 2CM3036-W03600H SCALE: 2:1 UNIT: mm SIZE: A3 SHEET: 1 OF 1 REV: C CUSTOMER COPY	