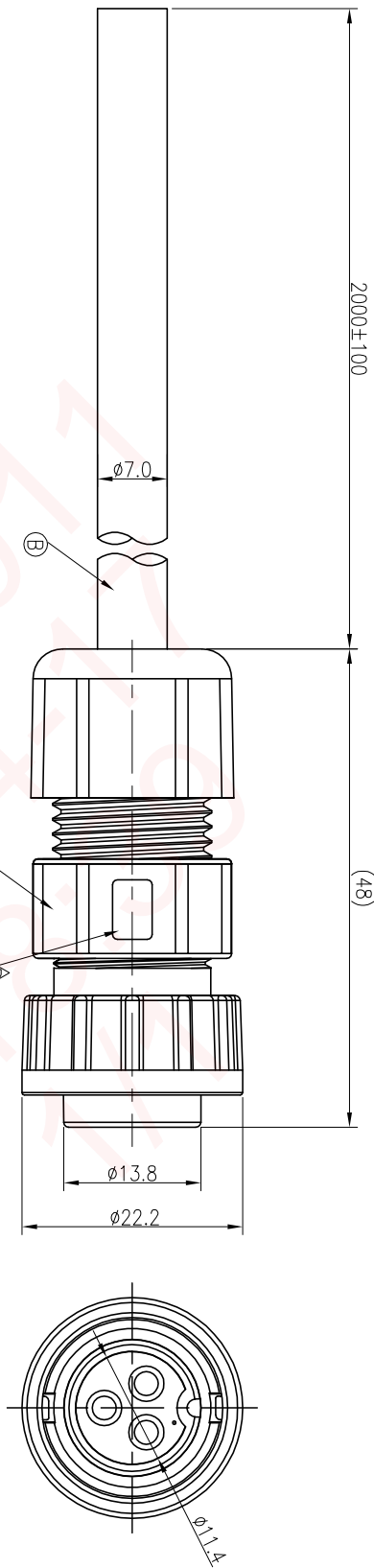
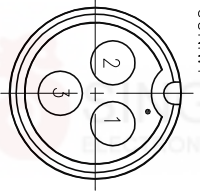


REV.	ECN NO.	OR DESCRIPTION	REVISED	DATE
A	PDR NO:S11114-11D	Horlen		2011.12.9
B	ECN NO.:S141261	BA	LIN	2015.04.07



CONN.1

3	BLACK
2	BLUE
1	BROWN
CONN.1 WIRE COLOR	
PIN OUT	
CONN.1	



Pin Assignments  
Front View

- NOTES:
1. WATERPROOF RATE: IP67  
IP67: IMMERSIED IN 1M WATER FOR 30 MINUTES
  2. CURRENT RATING: 16A
  3. SPECIFICATIONS:SEE "CIRCULAR SERIES SPECIFICATIONS".
  4. TO CONFORM TO SINGATRON HAZARDOUS SUBSTANCE FREE SPEC.
  5. GREEN PRODUCT IDENTIFICATION LABEL ON PACKAGING:

B	CABLE	1	UL2464 16AWG*3C+AI (UV),OD=Ø7.0	BLACK
A	ASSEMBLY CONN.	1	2CM3036-W03600H	BLACK
UNLESS OTHERWISE SPECIFIED TOLERANCES				
NO		DESCRIPTION	QTY	MATERIAL
SINGATRON ENTERPRISE CO., LTD. 信營企業股份有限公司				
TITLE: CIRCULAR MIDDLE SIZE (IP67) FEMALE CONN. MALE 3 PIN LOCK TYPE				
DECIMALS:	ANGLES:			
X : ±0.5	X : ±2°			
X.X : ±0.3	X.X : ±1°			
X.XX : ±0.2				
PART NO. 2CM3036-W03601H				
CHKD	Yang	SCALE	2:1	UNIT: mm
APVD	Horlen	SIZE:	A3	SHEET: 1 OF 1
REV: B				
CUSTOMER COPY				