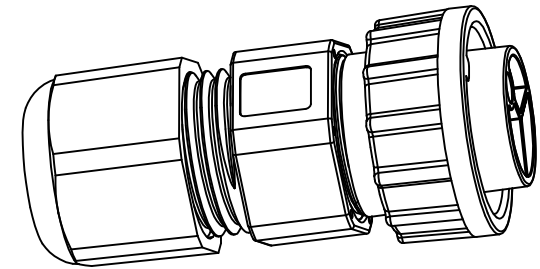
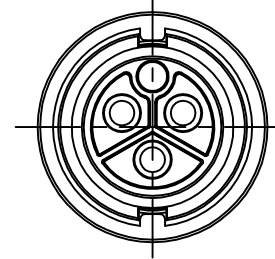
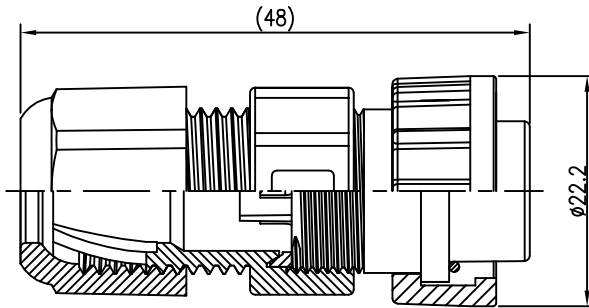
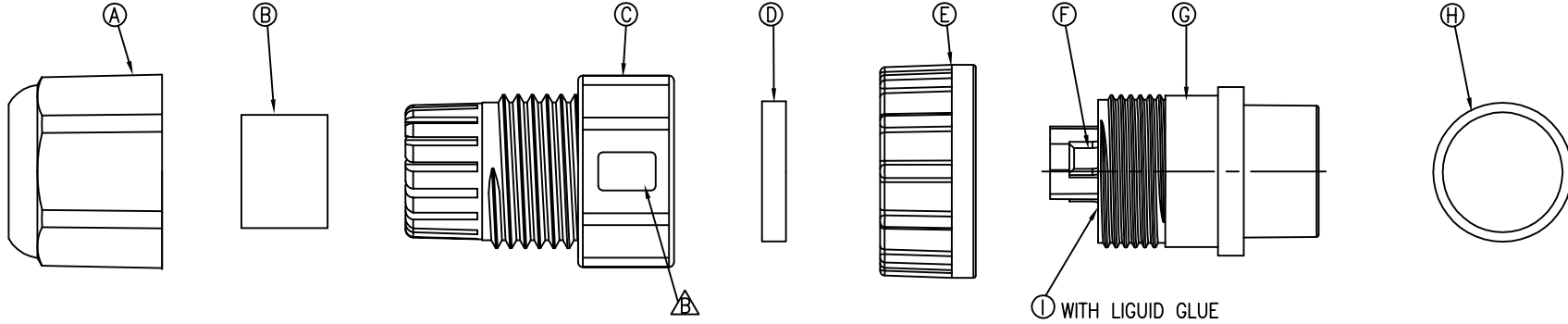
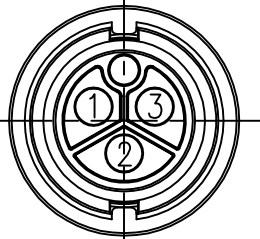


| REV. | ECN NO OR DESCRIPTION    | REVISED | DATE       |
|------|--------------------------|---------|------------|
| A    | PDR NO.:S131125-8E       | Shawn   | 2014.05.09 |
| B    | ECN NO.:S141261 $\Delta$ | LIN     | 2015.04.07 |



NOTES:

- ELECTRICAL CHARACTERISTICS:
  - CURRENT RATING: 20 AMPS.
  - CONTACT RESISTANCE: 30 mOhm Max.
  - INSULATION RESISTANCE: 100 MOhm Min. at 500VDC.
  - BREAKDOWN VOLTAGE: 1000 VAC PER MINUTE.
- MECHANICAL CHARACTERISTICS:
  - TIGHTENING TORQUES: 1.0~1.2Nm(8.85~10.62lbf.in.).
  - MECHANICAL CHARACTERISTICS: CONTACT ACCOMMODATION: 14~16 AWG.
- ENVIRONMENTAL:
  - OPERATING TEMPERATURE: -40°C TO +105°C.
  - SEALING REQUIREMENTS: IP67.
- SEAL FOR CABLE OD: \phi 6.0mm~\phi 9.0mm.
- LIFE TEST: 1,000 CYCLES MIN.
- OTHER GENERAL SPEC TO REFER "CIRCULAR SERIES GENERAL SPEC".
- FOR TECHNICAL DATA REFER TO YOUR LOCAL SINGATRON ELECTRONICS SALES OFFICE.
- ALL DIMENSIONS ARE NOMINAL FOR REFERENCE ONLY UNLESS OTHERWISE STATED.
- TO CONFORM TO SINGATRON HAZARDOUS SUBSTANCE FREE SPEC.
- GREEN PRODUCT IDENTIFICATION LABEL ON PACKAGING: G.P. PASS.



Pin Assignments  
Front View

| NO | DESCRIPTION | QTY | MATERIAL | PLATING & COLOR                        |
|----|-------------|-----|----------|--|
| I  | LIQUID GLUE | 1   | N/A      | BLACK                                  |
| H  | O-RING      | 1   | SILICONE | RED                                    |
| G  | BODY        | 1   | PA66+GF  | BLACK                                  |
| F  | MALE PIN    | 3   | BRASS    | 1~3u" GOLD PLATING OVER NICKEL PLATING |
| E  | LOCK NUT    | 1   | PA66+GF  | BLACK                                  |
| D  | GASKET      | 1   | SILICONE | BLACK                                  |
| C  | CLAMP RING  | 1   | PC       | BLACK                                  |
| B  | SEAL        | 1   | EPDM     | BLACK                                  |
| A  | SEALING NUT | 1   | PA66     | BLACK                                  |

|                                       |           |  |  |                                      |
|---------------------------------------|-----------|--|--|--------------------------------------|
| UNLESS OTHERWISE SPECIFIED TOLERANCES |           | Singatron Enterprise Co., Ltd.<br>信音企業股份有限公司 |  |                                      |
| DECIMALS:                             | ANGLES:   | TITLE  | CIRCULAR MIDDLE SIZE (IP67) ASSEMBLY FEMALE CONN. MALE 3 PIN LOCK TYPE |                                      |
| X : ±0.5                              | X : ±2°   | DWN  | LIN  | <b>PART NO. 2CM3036-W03602H</b>      |
| X.X : ±0.3                            | X.X : ±1' | CHKD   | Yang   | SCALE 2:1 UNIT: mm                   |
| X.XX : ±0.2                           |           | APVD   | Harlen   | SIZE: A3 SHEET: 1 OF 1 <b>REV: B</b> |
| <b>CUSTOMER COPY</b>                  |           |  |  |                                      |