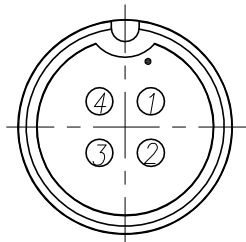
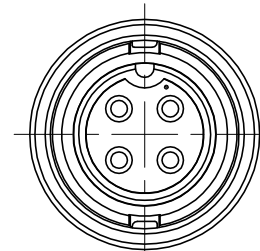
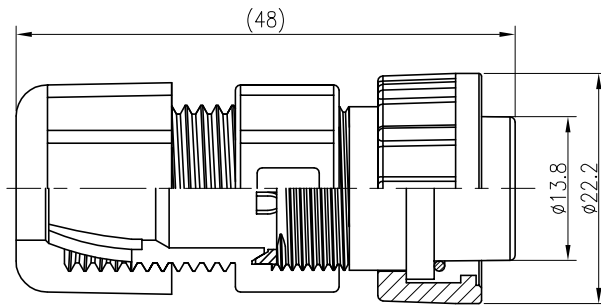
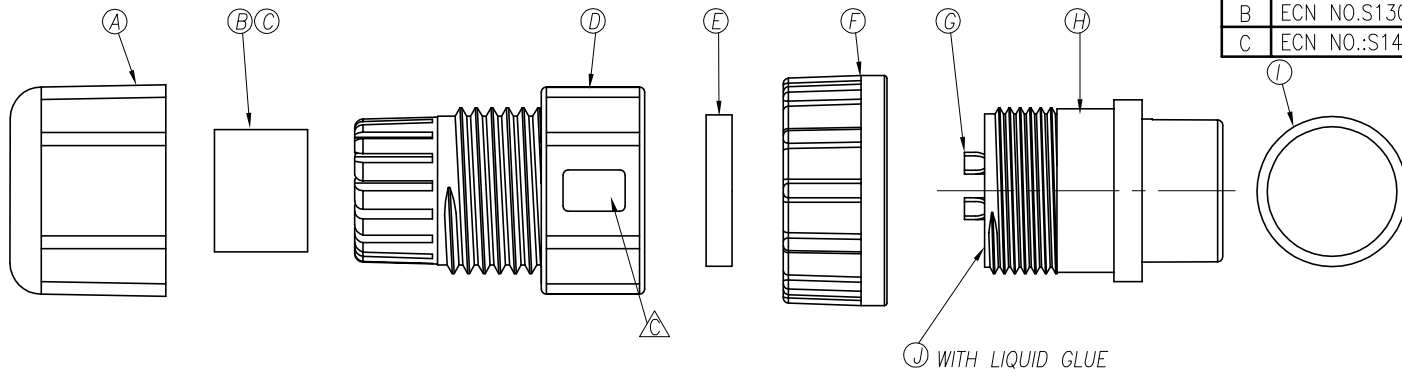


REV.	ECN NO OR DESCRIPTION	REVISED	DATE
A	RDR NO.:S110517-9B	Glen	2011.08.05
B	ECN NO.S130725	YF	2014.08.08
C	ECN NO.:S141261	LIN	2015.04.07



Pin Assignments
Front View

NOTES:

1. WATERPROOF RATE: IP67
IP67: IMMERSED IN 1M WATER FOR 30 MINUTES
2. SEAL1 FOR CABLE OD: $\phi 3.0\text{mm} \sim \phi 6.0\text{mm}$
SEAL2 FOR CABLE OD: $\phi 6.0\text{mm} \sim \phi 9.0\text{mm}$
3. SPECIFICATIONS: SEE "CIRCULAR SERIES SPECIFICATIONS".
4. TO CONFORM TO SINGATRON HAZARDOUS SUBSTANCE FREE SPEC.
5. GREEN PRODUCT IDENTIFICATION LABEL ON PACKAGING: **G.P. PASS**

NO	DESCRIPTION	QTY	MATERIAL	PLATING & COLOR
J	LIQUID GLUE	1	N/A	BLACK
I	O-RING	1	EPDM	BLACK
H	BODY	1	NYLON+GF	BLACK
G	MALE PIN	4	BRASS	1~3u" GOLD PLATED OVER NICKEL PLATING
F	LOCK NUT	1	NYLON+GF	BLACK
E	GASKET	1	SILICONE	BLACK
D	CLAMP RING	1	PC	BLACK
C	SEAL2	1	EPDM	BLACK
B	SEAL1	1	EPDM	BLACK
A	SEALING NUT	1	PA66	BLACK

UNLESS OTHERWISE SPECIFIED TOLERANCES

Singatron Enterprise Co., Ltd.
信音企業股份有限公司

DECIMALS: X : ± 0.5
X.X : ± 0.3
X.XX : ± 0.2

ANGLES: X : $\pm 2^\circ$
X.X : $\pm 1^\circ$

TITLE	CIRCULAR MIDDLE SIZE (IP67) FEMALE CONN. MALE 4PIN LOCK TYPE		
DWN	LIN	PART NO.2CM3036-W04400H	
CHKD	Yang	SCALE 2:1	UNIT: mm
APVD	Harlen	SIZE: A3	SHEET: 1 OF 1 REV: C

CUSTOMER COPY