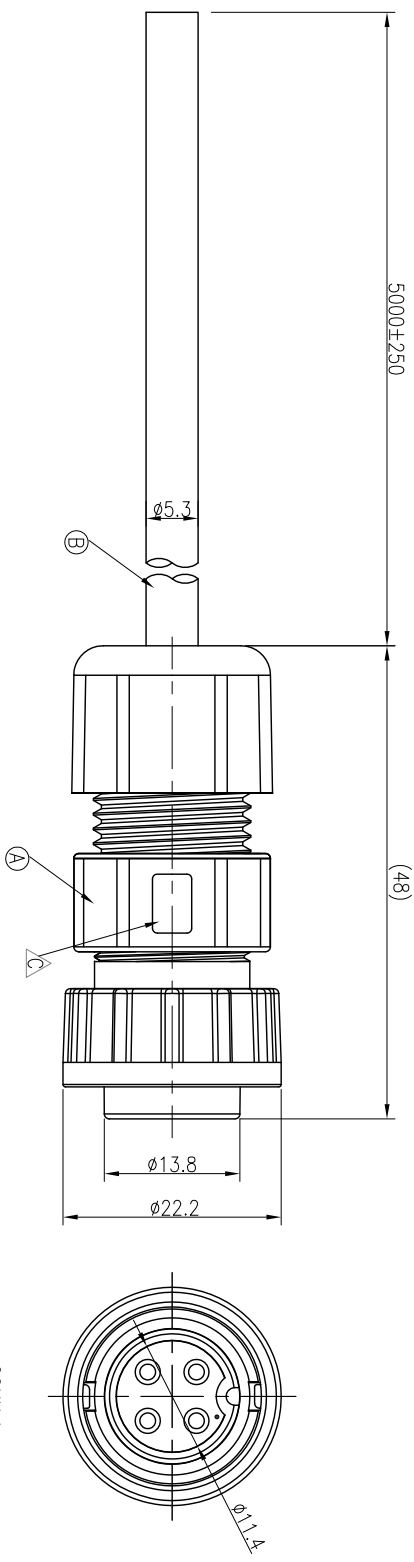
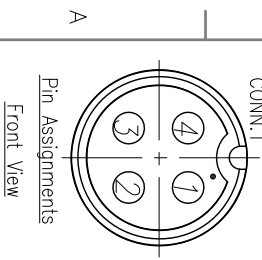


REV	ECN NO OR DESCRIPTION	REVISED	DATE
A	PDR NO:S11114-11C	Harren	2011.12.9
B	ECN NO:S140430	YF	2014.04.11
C	ECN NO:S141261/	LIN	2015.04.07



4	WHITE
3	BLACK
2	BLUE
1	BROWN
CONN.1 WIRE COLOR	
PIN OUT	
CONN.1	



- NOTES:
1. WATERPROOF RATE: IP67  
IP67: IMMERSED IN 1M WATER FOR 30 MINUTES
  2. CURRENT RATING: 10A
  3. SPECIFICATIONS:SEE "CIRCULAR SERIES SPECIFICATIONS".
  4. TO CONFORM TO SINGATRON HAZARDOUS SUBSTANCE FREE SPEC.
  5. GREEN PRODUCT IDENTIFICATION LABEL ON PACKAGING: **GR. PASS**

B	CABLE	1	UL2464 20AWG*4C+AI (UV),OD=5.3,	BLACK
A	ASSEMBLY CONN. DESCRIPTION	1	ZCM3036-W04400H	BLACK
UNLESS OTHERWISE SPECIFIED TOLERANCES				
DECIMALS:		ANGLES:		
X	:±0.5	X	:±2°	
X.X	:±0.3	X.X	:±1°	
X.XX	:±0.2			
Singatron Enterprise Co., Ltd. 信亨企業股份有限公司				
TITLE: CIRCULAR MIDDLE SIZE (IP67) FEMALE CONN. MALE 4 PIN LOCK TYPE				
DMW	LIN	PART NO.ZCM3036-W04401H		
CHKD	Yang	SCALE	2:1	UNIT: mm
APVD	Harren	SIZE:	A3	SHEET: 1 OF 1
REV: C				
CUSTOMER COPY				