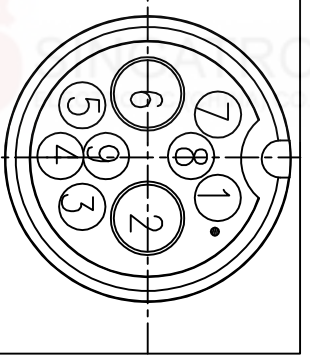
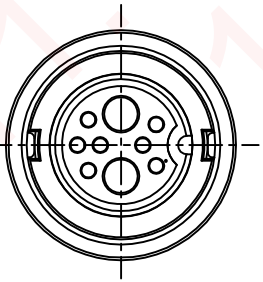
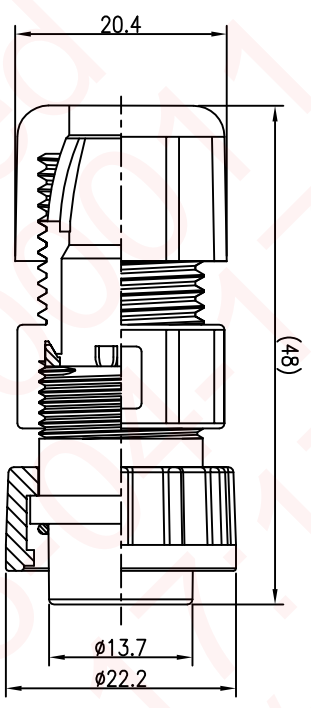
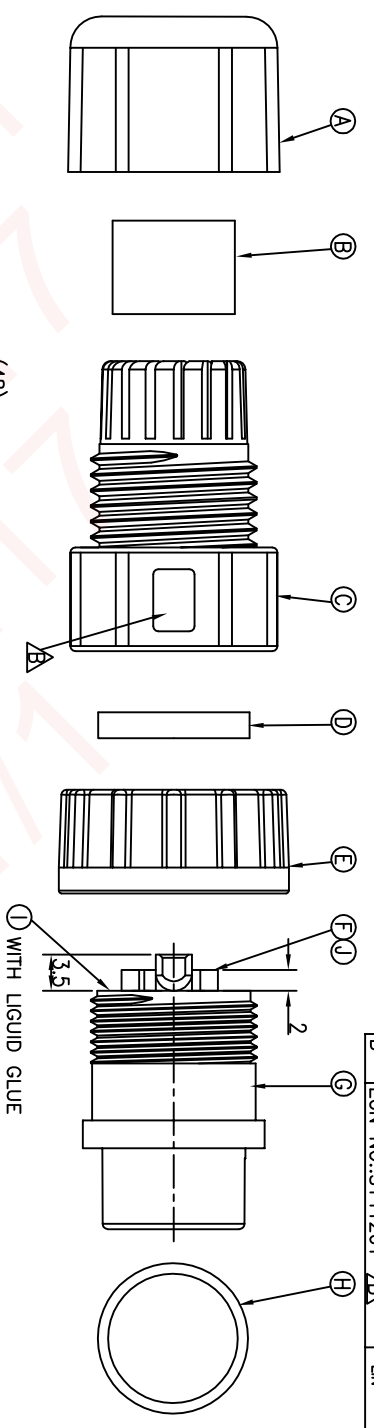


REV.	ECN NO OR DESCRIPTION	REVISED	DATE
A	PDR NO:C100428-6B	Harden	2010.03.17
B	ECN NO:S141261	△ LIN	2015.04.07



- NOTES:
1. WATERPROOF RATE: IP67
IP67: IMMERSED IN 1M WATER FOR 30 MINUTES
 2. SEAL2 FOR CABLE OD: $\phi 6.0\text{mm} \sim \phi 9.0\text{mm}$
 3. SPECIFICATIONS: SEE "CIRCULAR SERIES SPECIFICATIONS".
 4. TO CONFORM TO SINGATRON HAZARDOUS SUBSTANCE FREE SPEC.
 5. GREEN PRODUCT IDENTIFICATION LABEL ON PACKAGING: Gr Pass

NO	DESCRIPTION	QTY	MATERIAL	PLATING & COLOR
J	MALE PIN	7	Phosphor Bronze	6u" GOLD PLATING OVER NICKEL PLATING
I	LIQUID GLUE			
H	O-RING	1	EPDM	BLACK
G	BODY	1	NYLON+GF	BLACK
F	MALE PIN	2	Phosphor Bronze	1~3u" GOLD PLATING OVER NICKEL PLATING
E	LOCK NUT	1	NYLON+GF	BLACK
D	GASKET	1	SILICONE	BLACK
C	CLAMP RING	1	PC	BLACK
B	SEAL	1	EPDM	BLACK
A	SEALING NUT	1	PA66	BLACK

UNLESS OTHERWISE SPECIFIED TOLERANCES

DECIMALS:	ANGLES:
X : ±0.5	X : ±2°
X.X : ±0.3	X.X : ±1°
X.XX : ±0.2	

TITLE: CIRCULAR MIDDLE SIZE (IP67) FEMALE CONN. MALE (2+7)PIN ASSEMBLY TYPE

DWN UM 2015.04.07 PART NO. 2CM30386-W09E00

CHKD Yang SCALE 2:1 UNIT: mm

APVD Harden SIZE: A3 SHEET: 1 OF 1 REV: B

Singatron Enterprise Co., Ltd.
信亨企業股份有限公司

CUSTOMER COPY