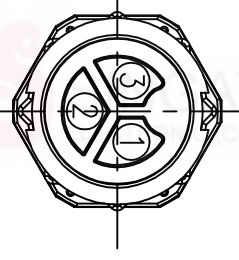
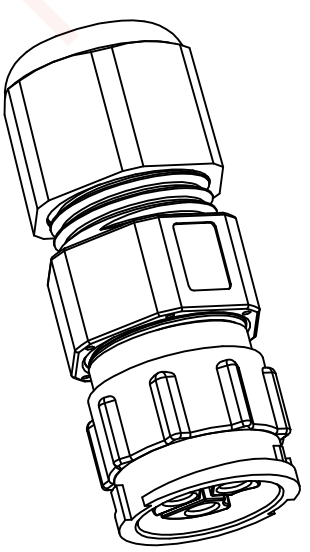
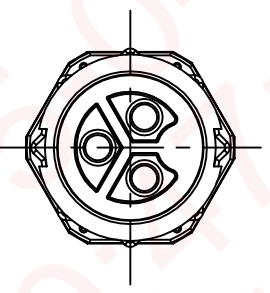
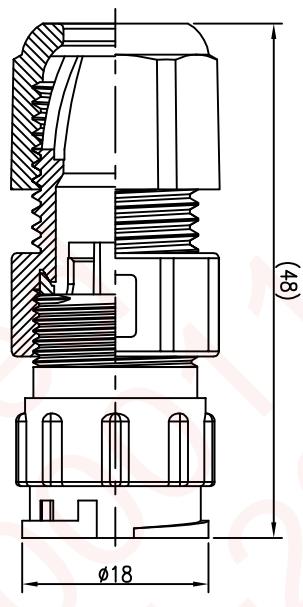
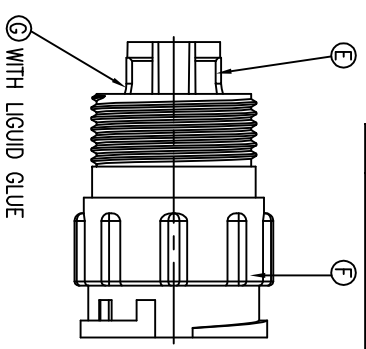
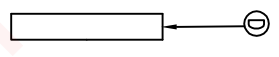
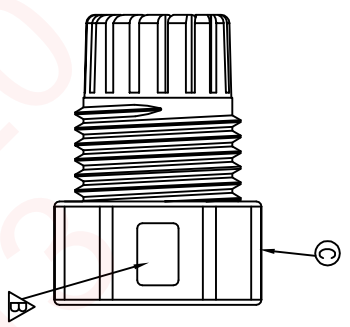
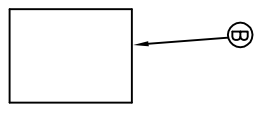
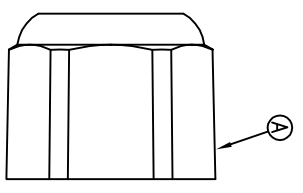


REV.	ECN NO.	OR DESCRIPTION	REVISED	DATE
A	PDR NO.:S131125-8D	Shown		2014.05.09
B	ECN NO.:S141261	Δ	LIN	2015.04.07



- NOTES:
- ELECTRICAL CHARACTERISTICS:
 - 1-1 CURRENT RATING: 20 AMPS.
 - 1-2 CONTACT RESISTANCE: 30 mOhm Max.
 - 1-3 INSULATION RESISTANCE: 100 Mohm Min. at 500VDC.
 - 1-4 BREAKDOWN VOLTAGE: 1000 VAC PER MINUTE.
 - MECHANICAL CHARACTERISTICS:
 - 2-1 TIGHTENING TORQUES: 1.0~1.2Nm(8.85~10.62lbf.in.).
 - 2-2 MECHANICAL CHARACTERISTICS:CONTACT ACCOMMODATION:14~16 AWG.
 - ENVIRONMENTAL:
 - 3-1 OPERATING TEMPERATURE: -40°C TO +105°C.
 - 3-2 SEALING REQUIREMENTS: IP67.
 - 3-3 SEAL FOR CABLE OD:φ6.0mm~φ9.0mm.
 - LIFE TEST: 1,000 CYCLES MIN.
 - OTHER GENERAL SPEC TO REFER "CIRCULAR SERIES GENERAL SPEC"
 - FOR TECHNICAL DATA REFER TO YOUR LOCAL SINGATRON ELECTRONICS SALES OFFICE.
 - ALL DIMENSIONS ARE NOMINAL FOR REFERENCE ONLY UNLESS OTHERWISE STATED.
 - TO CONFORM TO SINGATRON HAZARDOUS SUBSTANCE FREE SPEC.
 - GREEN PRODUCT IDENTIFICATION LABEL ON PACKAGING **GREEN PASS**.

Pin Assignments
Front View

G	LIQUID GLUE	1	N/A	BLACK
F	BODY	1	PA66+GF	BLACK
E	FEMALE PIN	3	Phosphor Bronze	1~3u" GOLD PLATING OVER NICKEL PLATING
D	GASKET	1	SILICONE	BLACK
C	CLAMP RING	1	PC	BLACK
B	SEAL	1	EPDM	BLACK
A	SEALING NUT	1	PA66	BLACK
NO	DESCRIPTION	QTY	MATERIAL	PLATING & COLOR

UNLESS OTHERWISE SPECIFIED TOLERANCES

Singatron Enterprise Co., Ltd.
信亨企業股份有限公司

TITLE: CIRCULAR MIDDLE SIZE (IP67) ASSEMBLY
MALE CONN. FEMALE 3 PIN LOCK TYPE

DECIMALS: ANGLES:

DWN LIN :±0.5 X :±2
CHKD Yang :±0.3 X.X :±1°
APVD Harlen :±0.2 X.XX :±0.2

APVD Harlen SIZE: A3 SHEET: 1 OF 1 REV: B

CUSTOMER COPY