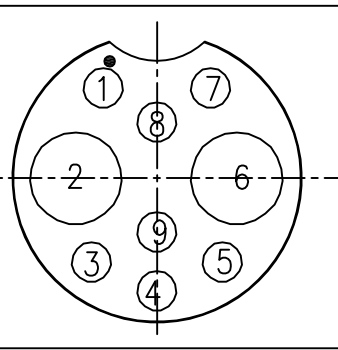
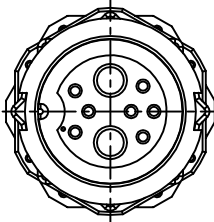
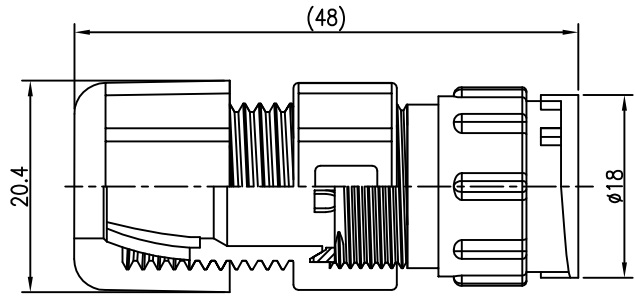
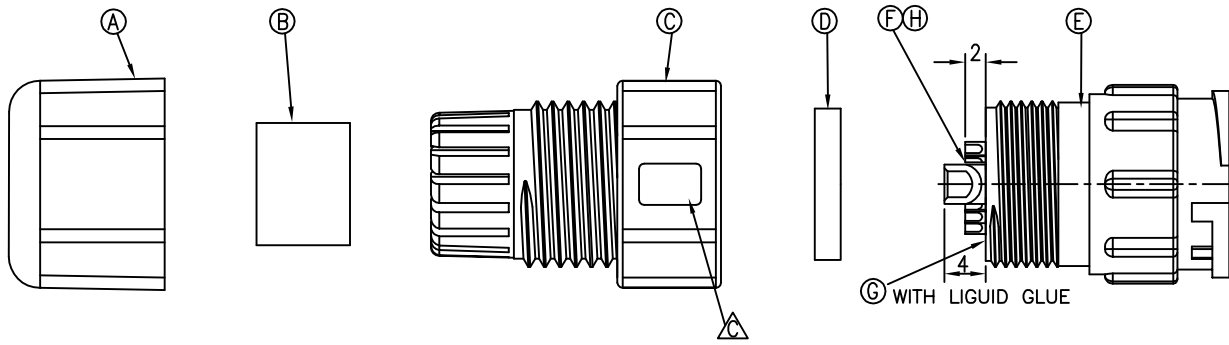


REV.	ECN NO OR DESCRIPTION	REVISED	DATE
A	PDR NO:C100428-6A	Harlen	2010.03.16
B	ECN NO.S130725	YF	2014.08.08
C	ECN NO.:S141261	LIN	2015.04.07



Pin Assignments  
Front View

- NOTES:
1. WATERPROOF RATE: IP67  
IP67: IMMERSED IN 1M WATER FOR 30 MINUTES
  2. SEAL2 FOR CABLE OD:φ6.0mm~φ9.0mm
  3. SPECIFICATIONS:SEE "CIRCULAR SERIES SPECIFICATIONS".
  4. TO CONFORM TO SINGATRON HAZARDOUS SUBSTANCE FREE SPEC.
  5. GREEN PRODUCT IDENTIFICATION LABEL ON PACKAGING:

NO	DESCRIPTION	QTY	MATERIAL	PLATING & COLOR
H	FEMALE PIN	7	Phosphor Bronze	6u" GOLD PLATING OVER NICKEL PLATING
G	LIQUID GLUE	1	N/A	BLACK
F	FEMALE PIN	2	Phosphor Bronze	1~3u" GOLD PLATING OVER NICKEL PLATING
E	BODY	1	NYLON+GF	BLACK
D	GASKET	1	SILICONE	BLACK
C	CLAMP RING	1	PC	BLACK
B	SEAL	1	EPDM	BLACK
A	SEALING NUT	1	PA66	BLACK

UNLESS OTHERWISE SPECIFIED TOLERANCES		Singatron Enterprise Co., Ltd. 信音企業股份有限公司	
DECIMALS:	ANGLES:	TITLE	
X :±0.5	X :±2°	CIRCULAR MIDDLE SIZE (IP67) MALE CONN. FEMALE (2+7) PIN ASSEMBLY TYPE	
X.X :±0.3	X.X :±1°	DWN	LIN
X.XX :±0.2		CHKD	Yang
		APVD	Harlen
			SCALE 2:1 UNIT: mm
			SIZE: A3 SHEET:1 OF 1
			REV: C
<b>CUSTOMER COPY</b>			