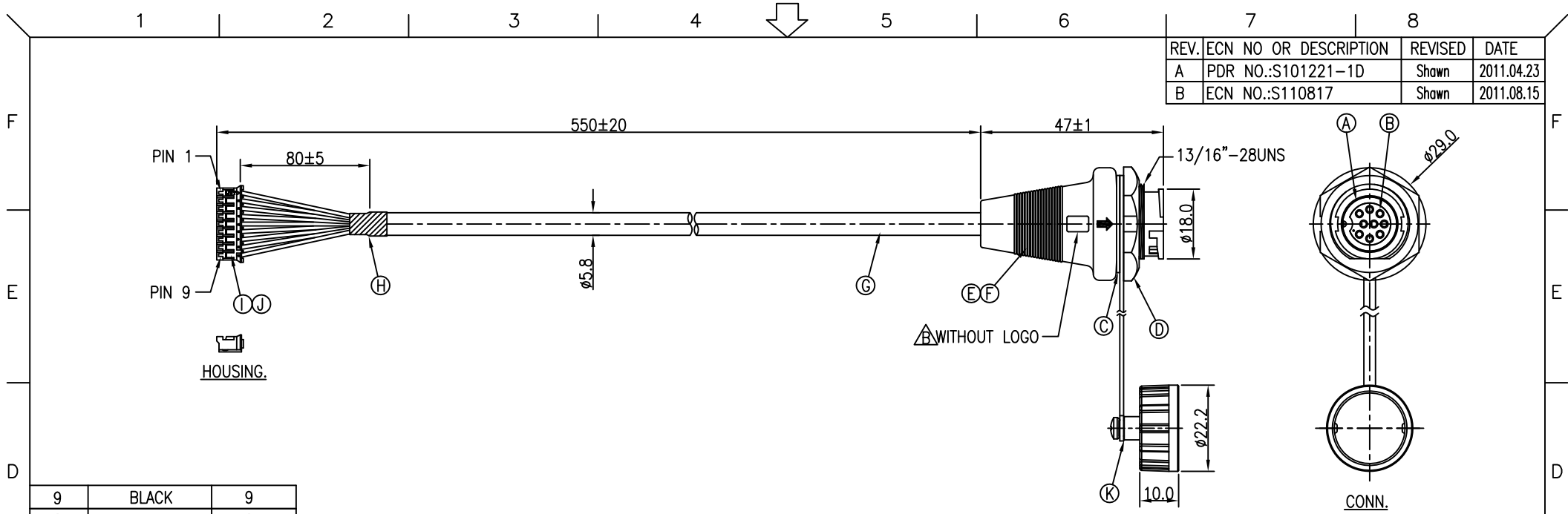
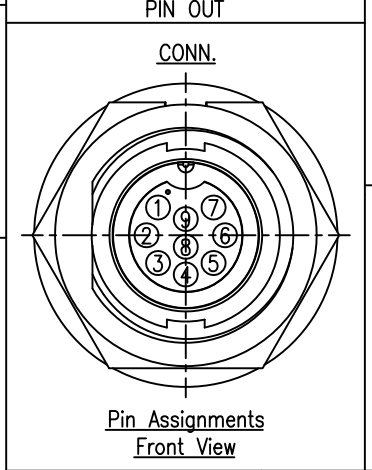


REV.	ECN NO OR DESCRIPTION	REVISED	DATE
A	PDR NO.:S101221-1D	Shawn	2011.04.23
B	ECN NO.:S110817	Shawn	2011.08.15



9	BLACK	9
8	RED	8
7	PINK	7
6	GRAY	6
5	YELLOW	5
4	GREEN	4
3	WHITE	3
2	BLUE	2
1	BROWN	1
CONN.	WIRE COLOR	HOUSING

- NOTES:
1. WATERPROOF RATE: IP67  
IP67: IMMERSED IN 1M WATER FOR 30 MINUTES
  2. CURRENT RATING: 5A
  3. SPECIFICATIONS:SEE "CIRCULAR SERIES SPECIFICATIONS".
  4. TO CONFORM TO SINGATRON HAZARDOUS SUBSTANCE FREE SPEC.
  5. GREEN PRODUCT IDENTIFICATION LABEL ON PACKAGING: **G.P. PASS**
  6. FOR PANEL THICKNESS MAX 2.0mm



K	WATERPROOF CAP	1	P/N:2CM3000-W0000W	N/A
J	HOUSING	1	NYLON 66 UL 94V-0	WHITE
I	TERMINAL	9	Phosphor Bronze	TIN PLATING
H	HEAT SHRINK TUBE	1	125' 300V L=20	BLACK
G	CABLE	1	UL2464 24AWG*9C+AL UV RESISTANT OD=5.8	BLACK(PVC JACKET)
F	OVER MOLD	1	TPU	BLACK
E	INNER MOLD	1	PVC	BLACK
D	PANEL NUT	1	NYLON+33%GF	BLACK
C	GASKET	1	EPDM	BLACK
B	FEMALE PIN	9	Phosphor Bronze	6u" GOLD PLATING OVER NICKEL PLATING
A	BODY	1	NYLON+33%GF	BLACK
NO	DESCRIPTION	QTY	MATERIAL	PLATING & COLOR

UNLESS OTHERWISE SPECIFIED TOLERANCES

Singatron Enterprise Co., Ltd.  
信音企業股份有限公司

DECIMALS:	ANGLES:	TITLE	CIRCULAR MIDDLE SIZE (IP67) MALE CONN. FEMALE PIN 9PIN(5A) LOCK TYPE	
X :±0.5	X :±2°	DWN	Shawn	<b>PART NO.2CM3040-W09301</b>
X.X :±0.3	X.X :±1°	CHKD	Steve	SCALE 1:1 UNIT: mm
X.XX :±0.2		APVD	Tony	SIZE: A2 SHEET:1 OF 1 <b>REV: B</b>

**CUSTOMER COPY**