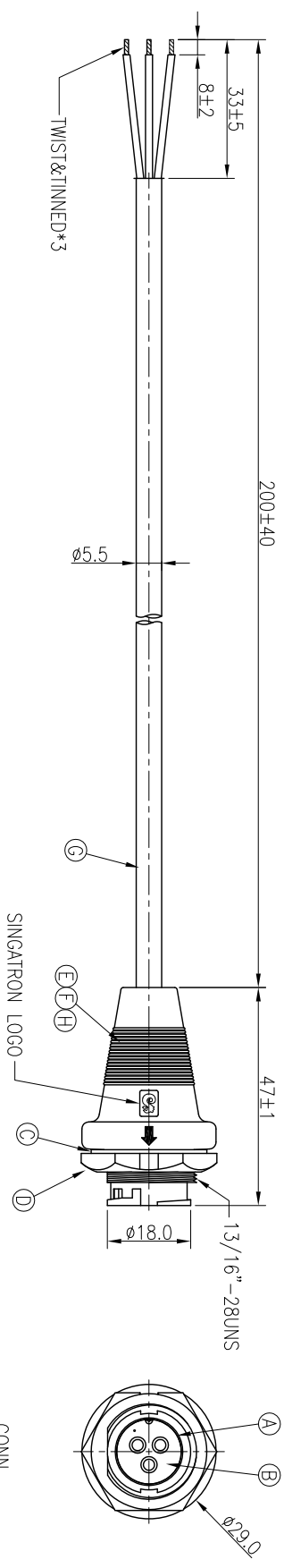


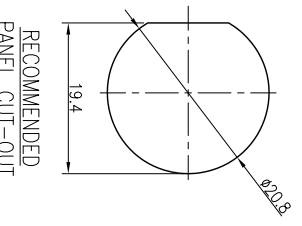
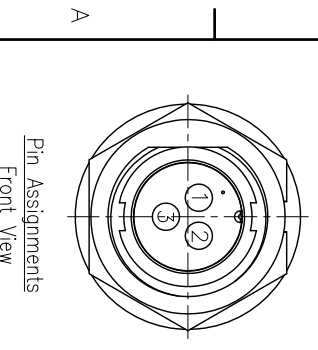
REV.	E/CN NO OR DESCRIPTION	REVISED	DATE
A	PDR NO.:S141216-1B	Yang	2015.01.21



WATERPROOF RATE: IP67

3	BLACK
2	RED
1	BLUE
CONN.	WIRE COLOR

- NOTES:
1. WATERPROOF RATE: IP67
 2. CURRENT RATING: 16A
 3. SPECIFICATIONS:SEE "CIRCULAR SERIES SPECIFICATIONS".
 4. TO CONFORM TO SINGATRON HAZARDOUS SUBSTANCE FREE SPEC.
 5. GREEN PRODUCT IDENTIFICATION LABEL ON PACKAGING: **GP PASS**
 6. FOR PANEL THICKNESS MAX 2.5mm



Pin Assignments
Front View

NO	DESCRIPTION	QTY	MATERIAL	PLATING & COLOR
A	BODY	1	NYLON+GF	BLACK
B	MALE PIN	3	BRASS	GOLD PLATING OVER NICKEL PLATING
C	GASKET	1	EPDM	BLACK
D	PANEL NUT	1	NYLON+GF	BLACK
E	INNER MOLD	1	PVC	BLACK
F	OVER MOLD	1	TPU	BLACK
G	CABLE	1	UL2464 3C*18AWG +D+AL OD5.5 (UV)	BLACK(PVC JACKET)
H	TUBE	3	125C° 300V	BLACK

UNLESS OTHERWISE SPECIFIED TOLERANCES

Singatron Enterprise Co., Ltd.
信亨企業股份有限公司

CIRCULAR MIDDLE SIZE (IP67)
TITLE MALE CONN. MALE PIN 3PIN(16A) LOCK TYPE

DMN Yang PART NO.2CM3041-W03603H
CHKD Harten SCALE 1:1 UNIT: mm
APVD Steve SIZE: A2 SHEET:1 OF 1 REV:A

CUSTOMER COPY