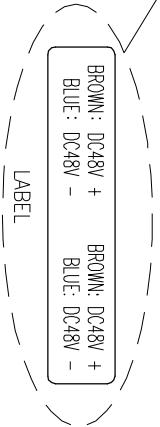
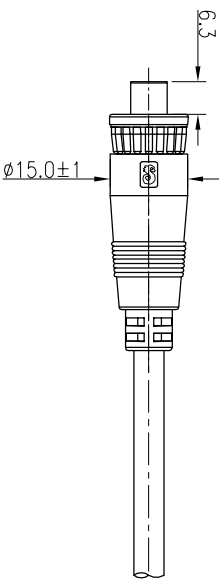
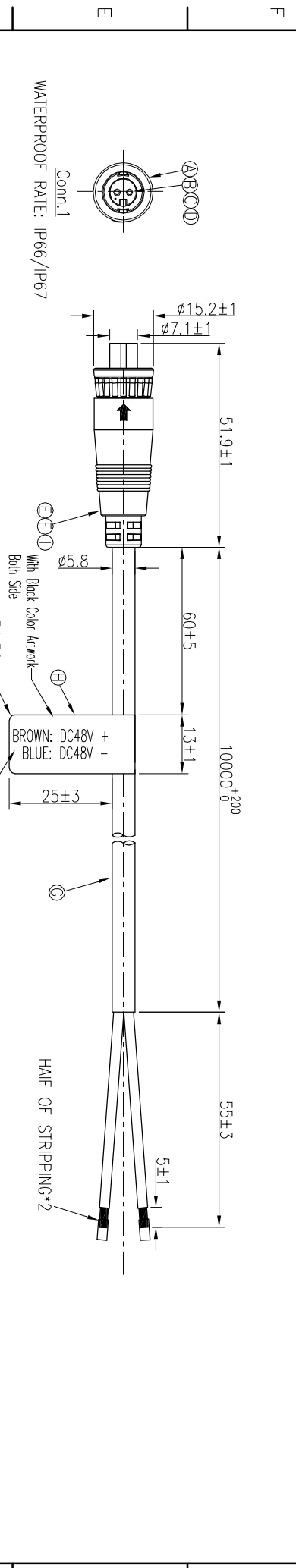


REV.	ECN NO OR DESCRIPTION	REVISED	DATE
A	PDR NO.:A190220-2B	RZ	2019.11.18

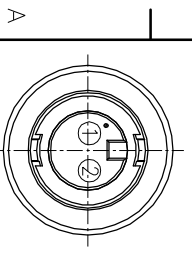


2	BLUE
1	BROWN

CONN.1 WIRE COLOR

PIN OUT

CONN1



Pin Assignments
Front View

- NOTES:
1. WATERPROOF RATE: IP66/IP67
 2. ELECTRICAL CHARACTERISTICS
 3. SPECIFICATIONS:SEE"CIRCULAR SERIES SPECIFICATIONS".
 4. TO CONFORM TO ROHS REQUIREMENT AND REACH REGULATION
 5. GREEN PRODUCT IDENTIFICATION LABEL ON PACKAGING:
 6. PULL FORCE TEST:60N min.
 7. NON-HUMAN FACTORS CAUSE SERVICE LIFE IS 5 YEARS
- RATING: 60V AC/DC 10A
 TEST CONDITION: DC300V 10Mohm 10ms
 TEMPERATURE RANGE:-40° TO +105°
 CONTACT RESISTANCE: 0.1 ohm (connector&soldering point)
 +0.0163 ohm/meter(cable)

I	HEAR-SHRINK TUBE	1	Ø2.5, 300V	BLACK
H	LABEL	1	PET L65*W13	SILVER
G	CABLE	1	UL21996 17AWG*2C OD:5.8mm	BLACK(PVC JACKET)
F	INNER MOLD	1	TPPE	NATURAL
E	OVER MOLD	1	PA66 FR370(F1)	BLACK
D	O-RING	1	SILICONE	RED
C	LOCK NUT	1	PA66	BLACK
B	FEMALE PIN	2	Phosphor Bronze	1~3µ" GOLD PLATING OVER NICKEL PLATING
A	BODY	1	PA66	BLACK

UNLESS OTHERWISE SPECIFIED TOLERANCES

Singatron Enterprise Co., Ltd.
信亨企業股份有限公司

CIRCULAR STANDARD SIZE
FEMALE CONN. FEMALE (2) PIN(10A)

TITLE	DWN	RZ	PART NO.2CN3004-W02403H
CHKD	Cery	SCALE 2:1	UNIT: mm
APVD	William	SIZE: A3	SHEET:1 OF 1 REV: A

CUSTOMER COPY