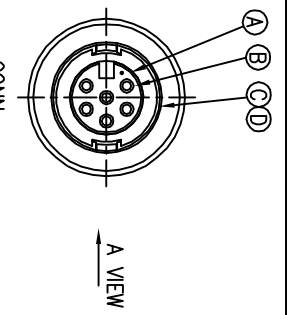
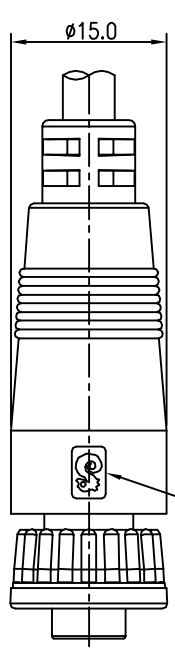
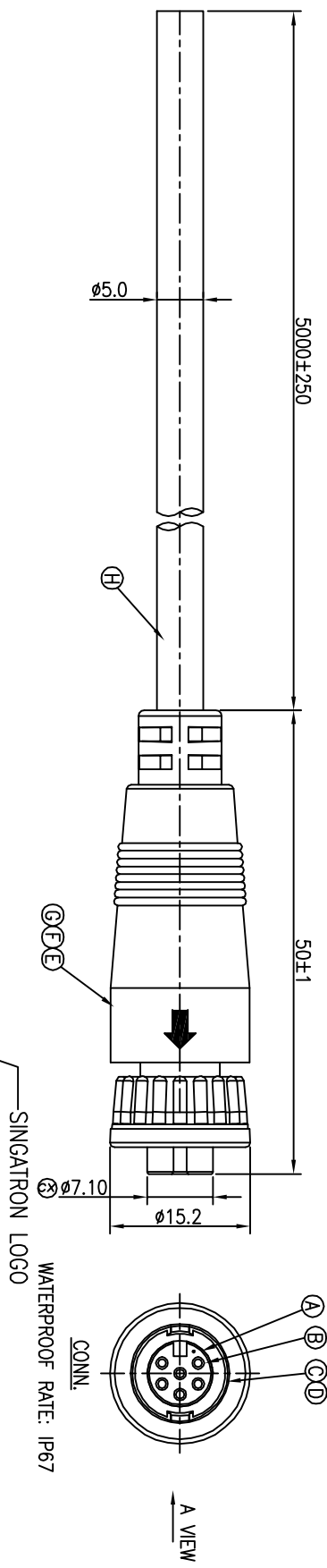
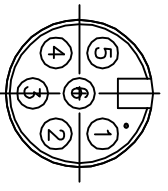


REV.	ECN NO.	OR DESCRIPTION	REVISED	DATE
A	PDR NO.:T150622-2A	Vicky	2015.06.23	
B	ECN NO.:S202207-R03	EIrod	2023.05.05	



C	6	BLACK
	5	WHITE
	4	BLUE
	3	GREEN
	2	YELLOW
B	1	RED
	CONN.	WIRE COLOR
		PIN OUT
		CONN.



- NOTES:
- ELECTRICAL CHARACTERISTICS:
 - 1-1 CURRENT RATING: 2 AMPS.
 - 1-2 CONTACT RESISTANCE: 3 Ohm Max.
 - 1-3 INSULATION RESISTANCE: 100 Mohm Min. at 500VDC.
 - 1-4 BREAKDOWN VOLTAGE: 500VAC PER MINUTE.
 - ENVIRONMENTAL:
 - 2-1 OPERATING TEMPERATURE: -20°C TO +80°C.
 - 2-2 SEALING REQUIREMENTS: IP67.
 - LIFE TEST: 1,000 CYCLES MIN.
 - OTHER GENERAL SPEC TO REFER "CIRCULAR SERIES GENERAL SPEC".
 - FOR TECHNICAL DATA REFER TO YOUR LOCAL SINGATRON ELECTRONICS SALES OFFICE.
 - ALL DIMENSIONS ARE NOMINAL FOR REFERENCE ONLY UNLESS OTHERWISE STATED.
 - TO CONFORM TO SINGATRON HAZARDOUS SUBSTANCE FREE SPEC.
 - GREEN PRODUCT IDENTIFICATION LABEL ON PACKAGING:

A	B	C	D	E	F	G	H
NO	DESCRIPTION	QTY	MATERIAL	PLATING & COLOR			
A	BODY	1	PA66+GF	BLACK			
B	FEMALE PIN	6	COPPER ALLOY	1~3μ" GOLD PLATING OVER NICKEL PLATING			
C	LOCK NUT	1	PA66+GF	BLACK			
D	O-RING	1	SILICONE	RED			
E	OVER MOLD	1	PVC	BLACK			
F	INNER MOLD	1	TPU	NATURAL			
G	HEAT SHRINK TUBE	6	φ1.5 125' 300V	BLACK			
H	CABLE	1	UL2464 24AWG*6C+AL	BLACK (PVC JACKET)			

UNLESS OTHERWISE SPECIFIED TOLERANCES

DECIMALS: ANGLES:

X :±0.5 X :±2

X.X :±0.3 X.X :±1'

X.XX :±0.2

Suzhou Singatron Auto Electronics CO.,LTD.
蘇州信音汽車電子有限公司

TITLE: CIRCULAR MINI SIZE (IP67) FEMALE CONN. FEMALE 6PIN(24) LOCK TYPE

DWN: EIrod PART NO.:2CN3004-W06205H

CHKD: Jun SCALE 2:1 UNIT: mm

APVD: Steve SIZE: A3 SHEET: 1 OF 1 REV: B

CUSTOMER COPY