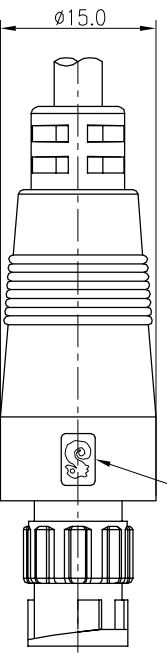
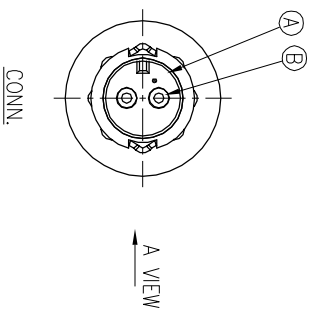
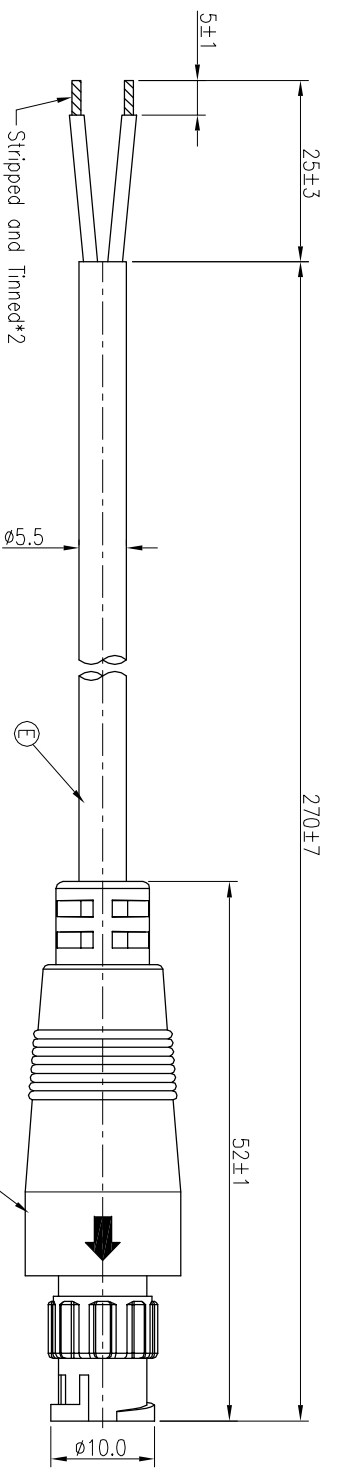
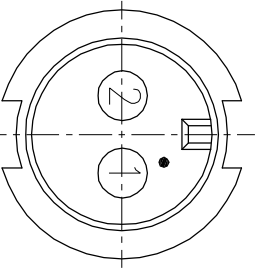


REV.	ECN NO OR DESCRIPTION	REVISED	DATE
A	PDR NO.:T190909-9A	JY	2020.04.10



2	BLACK
1	RED
CONN. WIRE COLOR	
PIN OUT	
CONN.	



- NOTES:
1. WATERPROOF RATE: IP66/IP67
  2. ELECTRICAL CHARACTERISTICS RATING: 5A
  3. SPECIFICATIONS:SEE "CIRCULAR SERIES SPECIFICATIONS."
  4. TO CONFORM TO ROHS REQUIREMENT AND REACH REGULATION
  5. GREEN PRODUCT IDENTIFICATION LABEL ON PACKAGING:
  6. NON-HUMAN FACTORS CASE SERVICE LIFE IS 5 YEARS

E	CABLE	1	UL2464 18#*2C+D+AL OD=5.5	BLACK
D	INNER MOLD	1	TPU	NATURAL
C	OVER MOLD	1	PVC	BLACK
B	MALE PIN	2	BRASS	6u" GOLD PLATING OVER NICKEL PLATING
A	BODY	1	NYLON+GF	BLACK
NO	DESCRIPTION	QTY	MATERIAL	PLATING & COLOR

UNLESS OTHERWISE SPECIFIED TOLERANCES

Singatron Enterprise Co., Ltd.  
信營企業股份有限公司

CIRCULAR MINI SIZE MALE CONN. MALE 2PIN(5A) LOCK TYPE

TITLE: **PART NO.:2CN3024-W02304H**

DWN: JY  
CHKD: Carry  
APVD: William

SCALE: 2:1  
UNIT: mm  
SHEET: 1 OF 1  
REV: A

Pin Assignments

CUSTOMER COPY