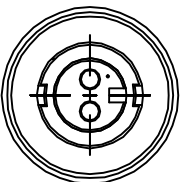
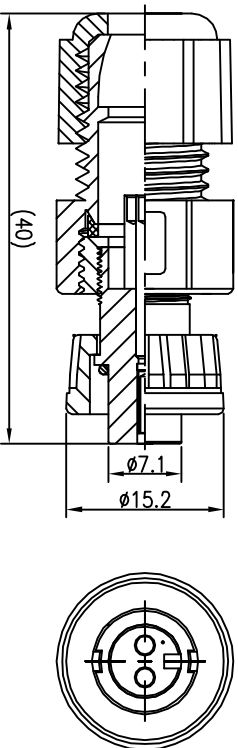
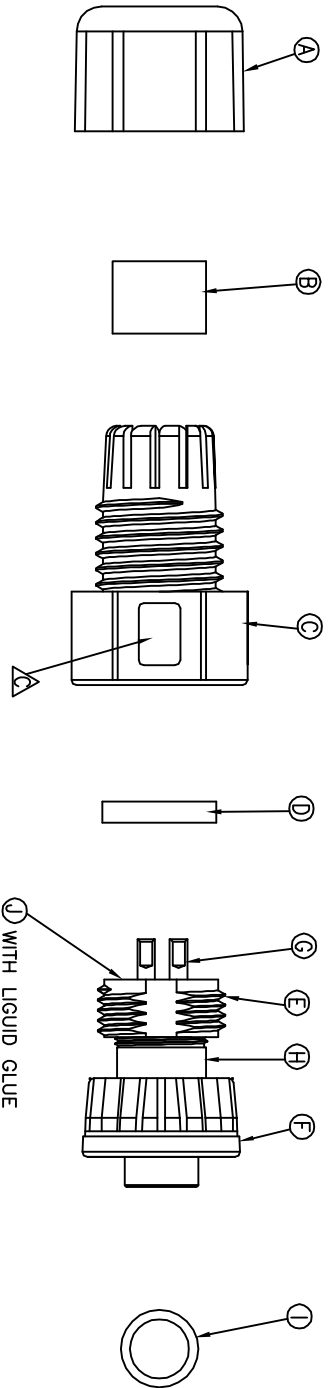


REV.	ECN NO.	OR DESCRIPTION	REVISED	DATE
A	PDR NO.:1091105-4A		Harden	2009.09.12
B	ECN NO.:S130725		YF	2014.08.11
C	ECN NO.:S141261		LIN	2015.04.07
D	ECN NO.:S202207-R03		Erod	2023.05.05



A	Pin Assignments Front View	Current Rating	Recommended Cable AWG
		5A	22AWG~24AWG

- NOTES:
1. WATERPROOF RATE: IP67
 2. IP67: IMMERSED IN 1M WATER FOR 30 MINUTES
 3. SEAL:1 FOR CABLE OD:φ4.0mm~φ6.5mm
 4. TO CONFORM TO SINGATRON HAZARDOUS SUBSTANCE FREE SPEC.
 5. GREEN PRODUCT IDENTIFICATION LABEL ON PACKAGING:

J	LIQUID GLUE	1	N/A	BLACK
I	O-RING	1	SILICONE	RED
H	BODY	1	NYLON+GF	BLACK
G	FEMALE PIN	2	Phosphor Bronze	6u" GOLD PLATING OVER NICKEL PLATING
F	LOCK NUT	1	NYLON+GF	BLACK
E	SCREW NUT	1	NYLON+GF	BLACK
D	GASKET	1	SILICONE	BLACK
C	CLAMP RING	1	PC	BLACK
B	SEAL	1	EPDM	BLACK
A	SEALING NUT	1	PC	BLACK
NO	DESCRIPTION	QTY	MATERIAL	PLATING & COLOR
UNLESS OTHERWISE SPECIFIED TOLERANCES				
Suzhou Singatron Auto Electronics CO.,LTD. 苏州信普汽车电子有限公司				
TITLE: CIRCULAR MINI SIZE (IP67) FEMALE CONN. FEMALE 2PIN(S)ASSEMBLY TYPE				
DWN	Erod	PART NO.:ZCN3032-W02300	SCALE 2:1	UNIT: mm
CHKD	Jun		SIZE: A3	SHEET: 1 OF 1
APVD	Steve			REV: D

CUSTOMER COPY