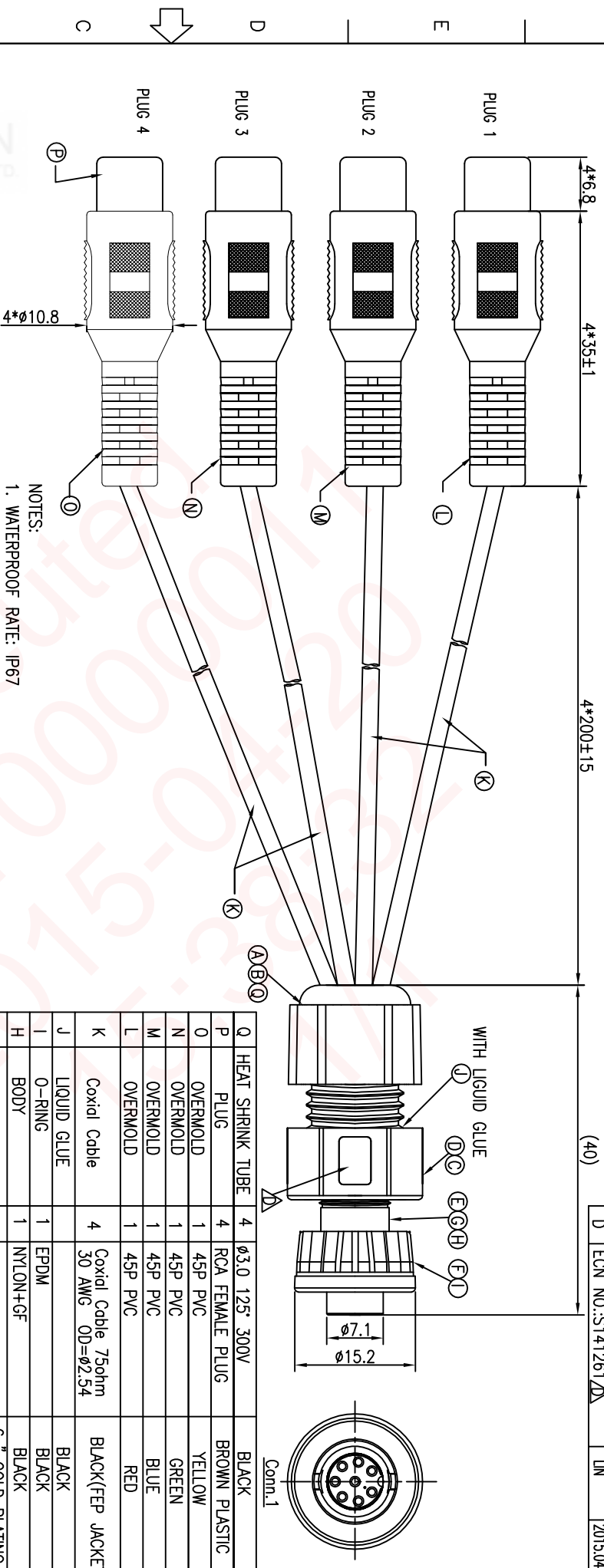


REV.	ECN NO.	OR DESCRIPTION	REVISED	DATE
A	PDR NO: T100208-1A	Horlen	2010.03.16	
B	ECN NO: S100731	Harlen	2010.08.02	
C	ECN NO: S130725	YF	2014.08.11	
D	ECN NO: S141261	LIN	2015.04.07	



- NOTES:
1. WATERPROOF RATE: IP67
  2. SPECIFICATIONS: SEE "CIRCULAR SERIES SPECIFICATIONS."
  3. TO CONFORM TO SINGATRON HAZARDOUS SUBSTANCE FREE SPEC.
  4. GREEN PRODUCT IDENTIFICATION LABEL ON PACKAGING: [C.F. PASS]
- IP67: IMMersed IN 1M WATER FOR 30 MINUTES

CONN. 1:	PLUG:

PLUG	1	2	3	4	5	6	7	8
PLUG 4	1	2	3	4	5	6	7	8
PLUG 3	1	2	3	4	5	6	7	8
PLUG 2	1	2	3	4	5	6	7	8
PLUG 1	1	2	3	4	5	6	7	8

PLUG	WIRE COLOR	CONN. 1
PLUG 4	1 WHITE	8 BRAID
PLUG 4	2 WHITE	7 BRAID
PLUG 4	3 WHITE	6 BRAID
PLUG 4	4 WHITE	5 BRAID
PLUG 4	5 WHITE	4 BRAID
PLUG 4	6 WHITE	3 BRAID
PLUG 4	7 WHITE	2 BRAID
PLUG 4	8 WHITE	1 BRAID

Q	HEAT SHRINK TUBE	4	φ3.0 125' 300V	BLACK
P	PLUG	4	RCA FEMALE PLUG	BROWN PLASTIC
O	OVERMOLD	1	45P PVC	YELLOW
N	OVERMOLD	1	45P PVC	GREEN
M	OVERMOLD	1	45P PVC	BLUE
L	OVERMOLD	1	45P PVC	RED
K	Coxial Cable	4	Coxial Cable 75ohm 30 AWG OD=φ2.54	BLACK(FEP JACKET)
J	LIQUID GLUE	1		BLACK
I	O-RING	1	EPDM	BLACK
H	BODY	1	NYLON+GF	BLACK
G	FEMALE PIN	8	Phosphor Bronze	6u" GOLD PLATING OVER NICKEL PLATING
F	LOCK NUT	1	NYLON+GF	BLACK
E	SCREW NUT	1	NYLON+GF	BLACK
D	GASKET	1	SILICONE	BLACK
C	CLAMP RING	1	PC	BLACK
B	SEAL	1	EPDM	BLACK
A	SEALING NUT	1	PC	BLACK
NO	DESCRIPTION	1	PC	BLACK

UNLESS OTHERWISE SPECIFIED TOLERANCES

DECIMALS: ANGLES:

X :±0.5 X :±2  
 X.X :±0.3 X.X :±1'  
 X.XX :±0.2

Singatron Enterprise Co., Ltd.  
 信登企業股份有限公司

TITLE: CIRCULAR MINI SIZE (IP67) FEMALE CONN. FEMALE 8P(2A) ASSEMBLY TYPE  
 DWG: LIN PART NO. 2CN3032-W08202  
 CHKD: Yang SCALE 2:1 UNIT: mm  
 APVD: Harlen SIZE: A3 SHEET: 1 OF 1 REV: D

CUSTOMER COPY