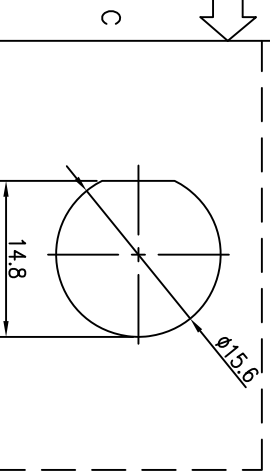
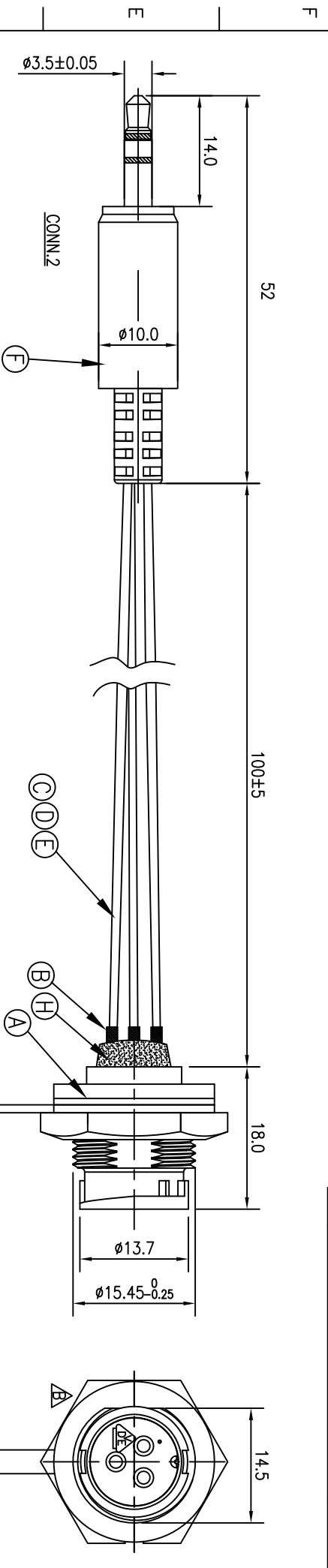


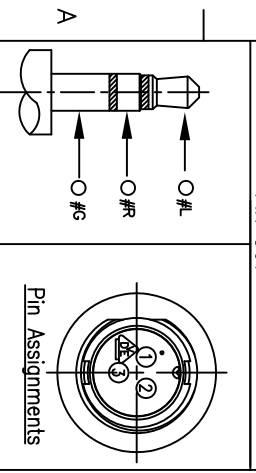
REV.	ECN NO.	OR DESCRIPTION	REVISED	DATE
A	PDR NO.:T100609-3A		LILY	2010.08.06
B	ECN NO.:S110852		Shown	2011.09.02



RECOMMENDED PANEL CUT-OUT

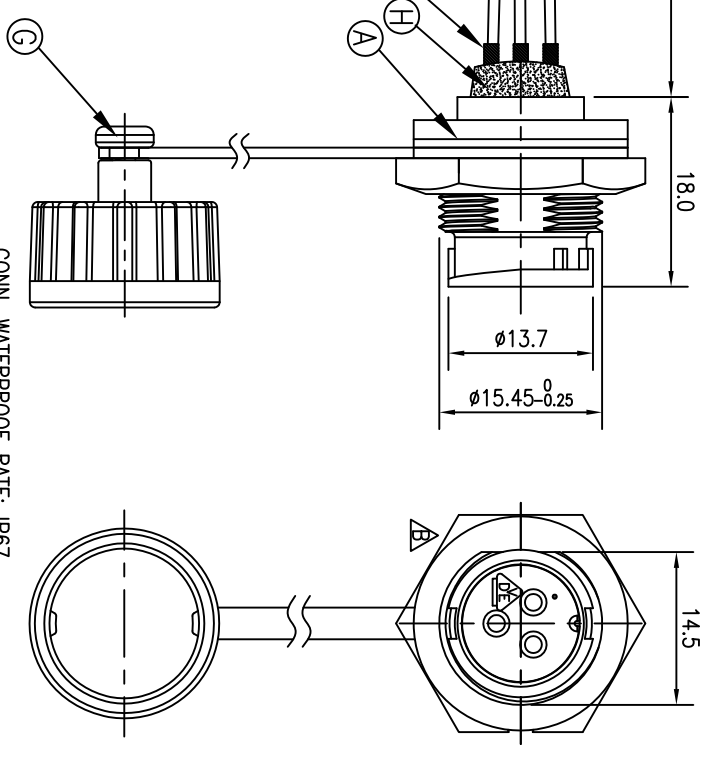
WIRE COLOR	CONN.1	CONN.2
GREEN	3	
RED	2	
BLACK	1	

PIN OUT



NOTES:

1. WATERPROOF RATE: IP67  
IP67: IMMersed IN 1M WATER FOR 30 MINUTES
2. CURRENT RATING: 5A
3. SPECIFICATIONS:SEE "CIRCULAR SERIES SPECIFICATIONS".
4. TO CONFORM TO SINGATRON HAZARDOUS SUBSTANCE FREE SPEC.
5. GREEN PRODUCT IDENTIFICATION LABEL ON PACKAGING:



CONN. WATERPROOF RATE: IP67  
Conn.1

NO	DESCRIPTION	QTY	MATERIAL	PLATING & COLOR
A	PANEL CONN.	1	P/N:2CT3002-W03300	BLACK
B	SHRINK TUBE	3	φ2.0*10	BLACK
C	WIRE	1	UL1007 24#	BLACK
D	WIRE	1	UL1007 24#	RED
E	WIRE	1	UL1007 24#	GREEN
F	AUDIO PLUG	1	BRASS+ABS+PVC	BLACK
G	Waterproof Cap	1	P/N:2CT3000-W0000W	BLACK
H	THERMAL GLUE	1	φ7.0mm 导热胶	BLACK

UNLESS OTHERWISE SPECIFIED TOLERANCES

DECIMALS:	ANGLES:
X :±0.5	X :±2°
X.X :±0.3	X.X :±1°
X.XX :±0.2	

Singatron Enterprise Co., Ltd.  
信亨企业股份有限公司

CIRCULAR STANDARD SIZE (SOLDER TYPE)  
MALE CONN. MALE 3 PIN

PART NO. 2CT3002-W03301

SCALE 2:1 UNIT: mm

SIZE: A3 SHEET: 1 OF 1 REV: B

CUSTOMER COPY