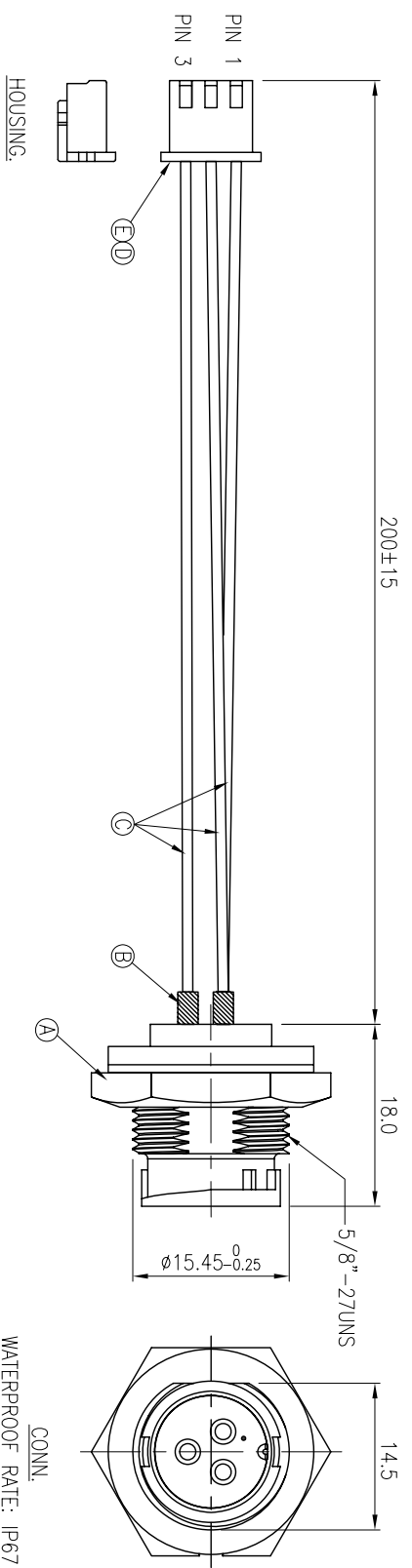
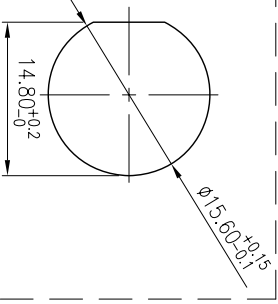


REV.	ECN NO OR DESCRIPTION	REVISION	DATE
A	PDR NO.:S140108-5B	JF	2014.02.21

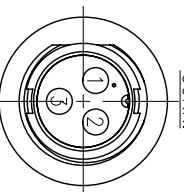


WATERPROOF RATE: IP67



RECOMMENDED PANEL CUT-OUT

2	BLUE	3
3	BLACK	2
1	BROWN	1
HOUSING, WIRE COLOR		CONN.
PIN OUT		CONN.



Pin Assignments
Front View

- NOTES:
- ELECTRICAL CHARACTERISTICS:
 - CURRENT RATING: 10 AMPS(PANEL).
 - CONTACT RESISTANCE: 3 Ohm Max.
 - INSULATION RESISTANCE: 100 Mohm Min at 500VDC.
 - BREAKDOWN VOLTAGE: 1000 VAC PER MINUTE.
 - MECHANICAL CHARACTERISTICS:
 - TIGHTENING TORQUES: 0.8~1.0N_m(7.08~8.85lbf.in.).
 - ENVIRONMENTAL:
 - OPERATING TEMPERATURE: -20°C TO +80°C.
 - SEALING REQUIREMENTS: IP67.
 - LIFE TEST: 1,000 CYCLES MIN.
 - LIFE TEST: 1,000 CYCLES MIN.
 - FOR PANEL THICKNESS MAX OF 3.5mm
 - OTHER GENERAL SPEC TO REFER "CIRCULAR SERIES GENERAL SPEC."
 - FOR TECHNICAL DATA REFER TO YOUR LOCAL SINGATRON ELECTRONICS SALES OFFICE.
 - ALL DIMENSIONS ARE NOMINAL FOR REFERENCE ONLY UNLESS OTHERWISE STATED.
 - TO CONFORM TO SINGATRON HAZARDOUS SUBSTANCE FREE SPEC.
 - GREEN PRODUCT IDENTIFICATION LABEL ON PACKAGING: **[GPP PASS]**.

E	TERMINAL	3	P/N:4TRJW-T-A250101	TINNED
D	HOUSING	1	P/N:4HSWT-A250103	WHITE
C	WIRE	3	UL 1007 22AWG	SEE PIN OUT
B	HEAT SHRINK TUBE	3	φ3.0*10mm	BLACK
A	PANEL CONN.	1	P/N:2CT3002-W03400	BLACK
NO	DESCRIPTION	QTY	MATERIAL	PLATING & COLOR

UNLESS OTHERWISE SPECIFIED TOLERANCES

Singatron Enterprise Co., Ltd.
信善企業股份有限公司

DECIMALS:	ANGLES:
X :±0.5	X :±2°
X.X :±0.3	X.X :±1°
X.XX :±0.2	

TITLE	CIRCULAR STANDARD SIZE (SOLDER TYPE)
DWN	JF
CHKD	Horten
APVD	Quon
PART NO.2CT3002-W03407H	
SCALE 2:1	
SIZE: A3	SHEET: 1 OF 1
REV: A	

CUSTOMER COPY

