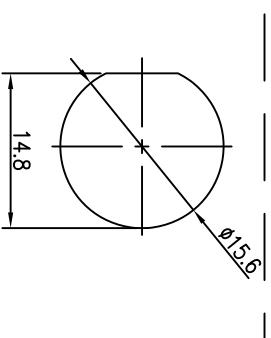
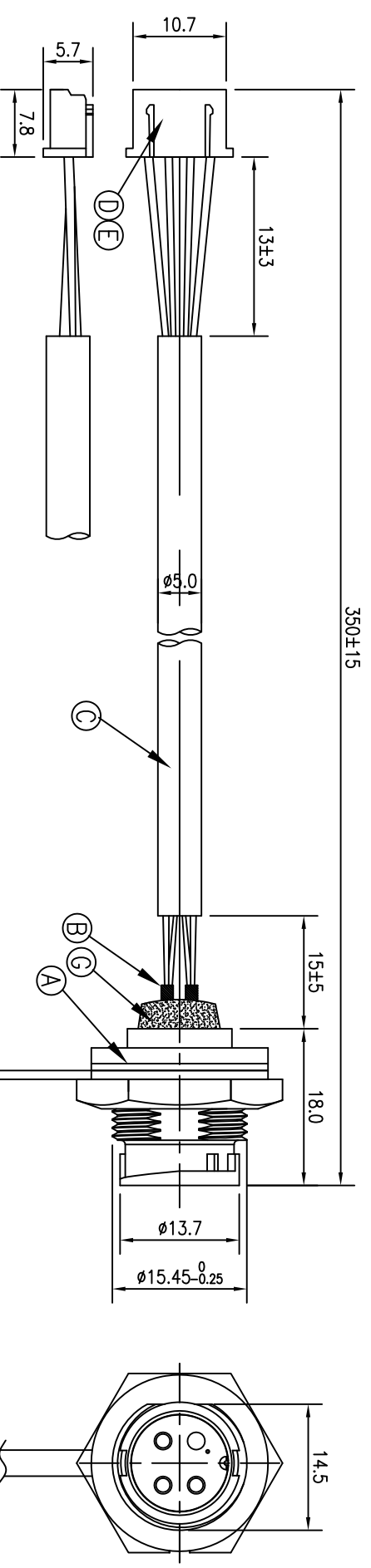
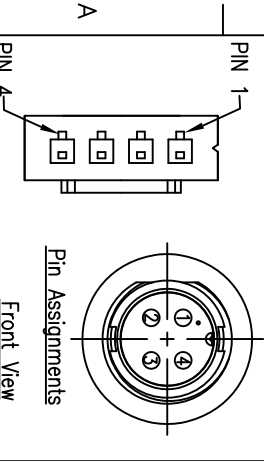


REV.	ECN NO. OR DESCRIPTION	REVISED	DATE
A	PDR NO:S101116-1C	LILY	2010.11.24



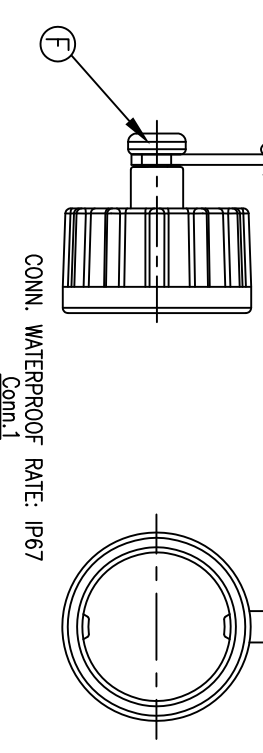
RECOMMENDED PANEL CUT-OUT

4	BLACK	4
3	BLUE	3
2	GREEN	2
1	RED	1
CONN.2 WIRE COLOR		CONN.1



NOTES:

1. WATERPROOF RATE: IP67
IP67: IMMERSED IN 1M WATER FOR 30 MINUTES
2. CURRENT RATING: 5A
3. SPECIFICATIONS:SEE "CIRCULAR SERIES SPECIFICATIONS".
4. TO CONFORM TO SINGATRON HAZARDOUS SUBSTANCE FREE SPEC.
5. GREEN PRODUCT IDENTIFICATION LABEL ON PACKAGING: Gr-PASS



G	THERMAL GLUE	1	1	ø7.0mm	BLACK
F	Waterproof Cap	1	1	P/N:2CT3000-W0000W	BLACK
E	TERMINAL	1	1	BRASS	TIN-PLATED
D	HOUSING	1	1	NYLON 66 UL94V-0	WHITE
C	CABLE	1	1	UL2464 24AWG*4C (UV RESISTANT)	BLACK(PVC JACKET)
B	SHRINK TUBE	4	4	ø2.0*10	BLACK
A	PANEL CONN.	1	1	P/N:2CT3002-W04300	BLACK
NO	DESCRIPTION	QTY		MATERIAL	PLATING & COLOR

UNLESS OTHERWISE SPECIFIED TOLERANCES

DECIMALS:	ANGLES:
X :±0.5	X :±2°
X.X :±0.3	X.X :±1°
X.XX :±0.2	

Singatron Enterprise Co., Ltd.
信音企業股份有限公司
CIRCULAR STANDARD SIZE (SOLDER TYPE)
MALE CONN. MALE 4 PIN

TITLE	PART NO.2CT3002-W04301
DWN	LILY
CHKD	Steve
APVD	Max
SCALE	2:1
UNIT	mm
SIZE	A3
SHEET	1 OF 1
REV	A

CUSTOMER COPY